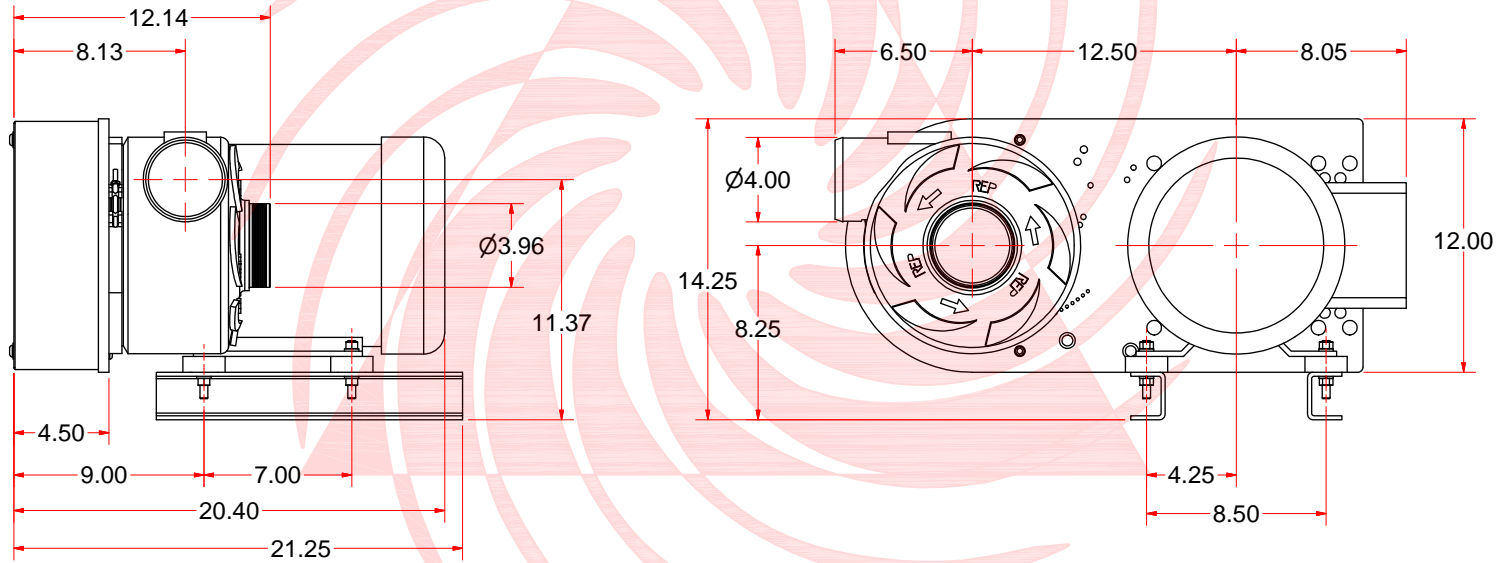


REVISIONS					
ECR#	REV	DESCR PTIONS	DATE	REV BY	ZONE



REPUBLIC

RB1200 10HP BALDOR MOTOR,  
BLOWER POSITION 9

UNLESS OTHERWISE SPECIFIED ALL DIMENSIONS ARE IN INCHES		DRAWN Ben Valdez	7/26/2011	Republic Sales & Mfg. www.republicsales.com	
DECIMALS:    FRACT ONS:    ANGLES: XXX = ± .005    XX = ± .010    ± 1/32    ± 0° 30'		ROUTING		TITLE	
BREAK ALL SHARP EDGES MACHINE SURFACE FINISH N RMS 125		QA		RB1200HC Blower Assembly	
NOTICE PROPRIETY RIGHTS INVOLVED THIS DOCUMENT AND ALL ACCOMPANYING INFORMATION AND DATA ARE AND REMAIN THE PROPERTY OF REPUBLIC SALES & MFG. AND ARE NOT TO BE COPIED, REPRODUCED, REPRODUCED, NOR TRANSMITTED OR DISCLOSED TO OTHERS WITHOUT EXPRESS WRITTEN PERMISSION AND ARE TO BE RETURNED UPON REQUEST. THEREFORE, ALL RIGHTS IN PROPERTY AND NOVEL FEATURES OF THE SUBJECT MATTER ARE EXPRESSLY RESERVED BY REPUBLIC SALES & MFG. RECEIPTS AGREEMENT TO THE FOREGOING IS INDICATED BY ACCEPTANCE OF THIS DOCUMENT.		MFG		SIZE	DWG NO
		APPROVED		C	200-9600HC
		MATERIAL		SCALE	REV
		FINISH			
				SHEET	1 OF 1