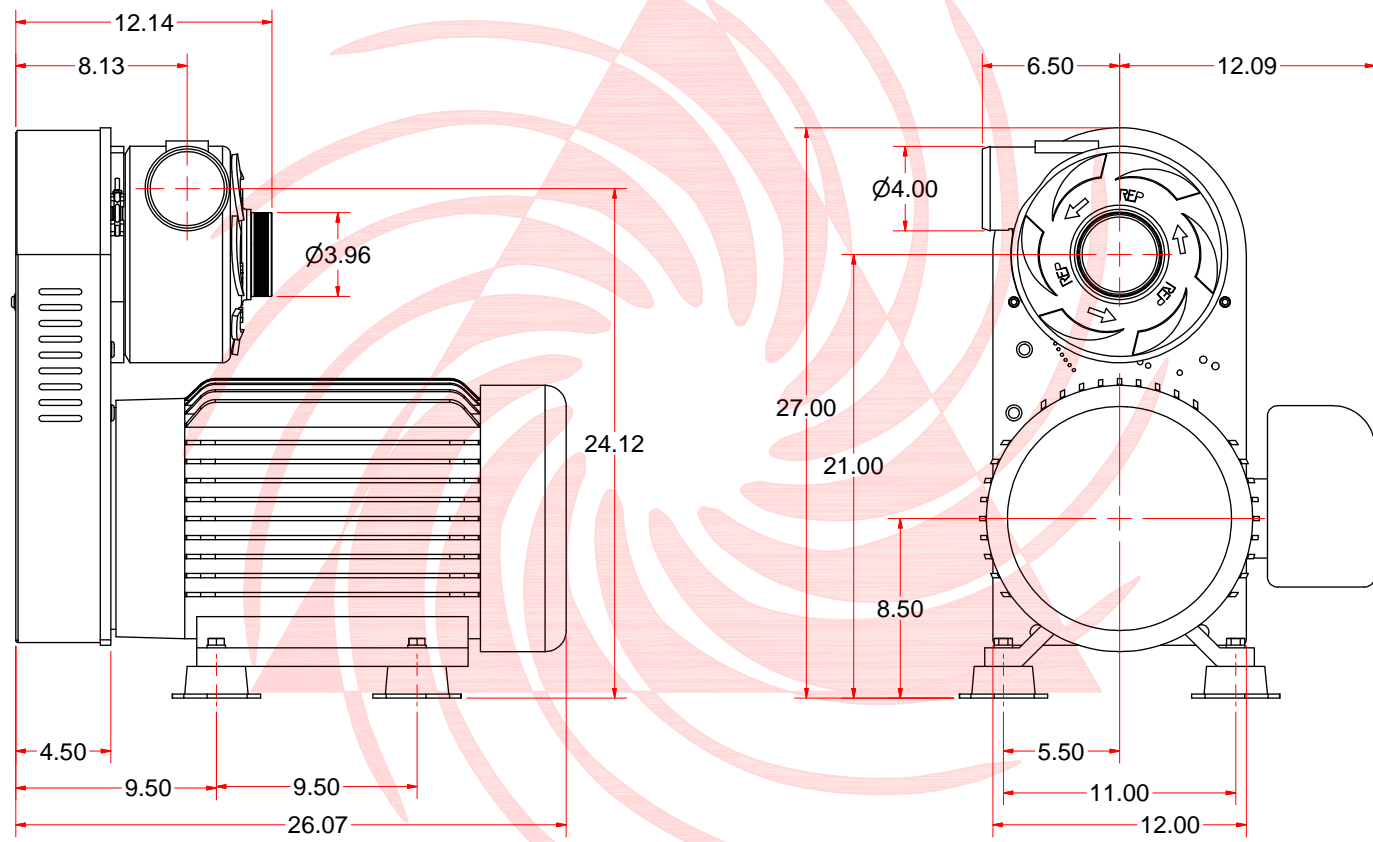


REVISIONS		DATE	REV BY	ZONE
ECR#	REV	DESCR PTIONS		



REPUBLIC

RB1200 25HP BALDOR MOTOR,  
BLOWER POSITION 5

UNLESS OTHERWISE SPECIFIED ALL DIMENSIONS ARE IN INCHES TOLERANCES: DECIMALS: .005 FRACTIONS: 1/32 ANGLES: 30°		DRAWN Ben Valdez	7/26/2011	Republic Sales & Mfg. www.republicsales.com	
BROKE ALL SHARP EDGES MACHINE SURFACE FINISH N° RMS 125		ROUTING		TITLE RB1200HC Blower Assembly	
NOTICE PROPRIETY RIGHTS INVOLVED THIS DOCUMENT AND ALL ACCOMPANYING INFORMATION AND DATA ARE AND REMAIN THE PROPERTY OF REPUBLIC SALES & MFG. AND ARE NOT TO BE COPIED, REPRODUCED, REPRODUCED, TRANSMITTED OR DISCLOSED TO OTHERS WITHOUT EXPRESS WRITTEN PERMISSION AND ARE TO BE RETURNED UPON REQUEST. THEREFORE, ALL RIGHTS IN PROPERTY AND NOVEL FEATURES OF THE SUBJECT MATTER ARE EXPRESSLY RESERVED BY REPUBLIC SALES & MFG. RECEIPTS AGREEMENT TO THE FOREGOING IS INDICATED BY ACCEPTANCE OF THIS DOCUMENT.		QA		SIZE DWG NO C 200-9600HC	
		MFG		REV	
		APPROVED		SCALE SHEET 1 OF 1	
		MATERIAL			
		FINISH			