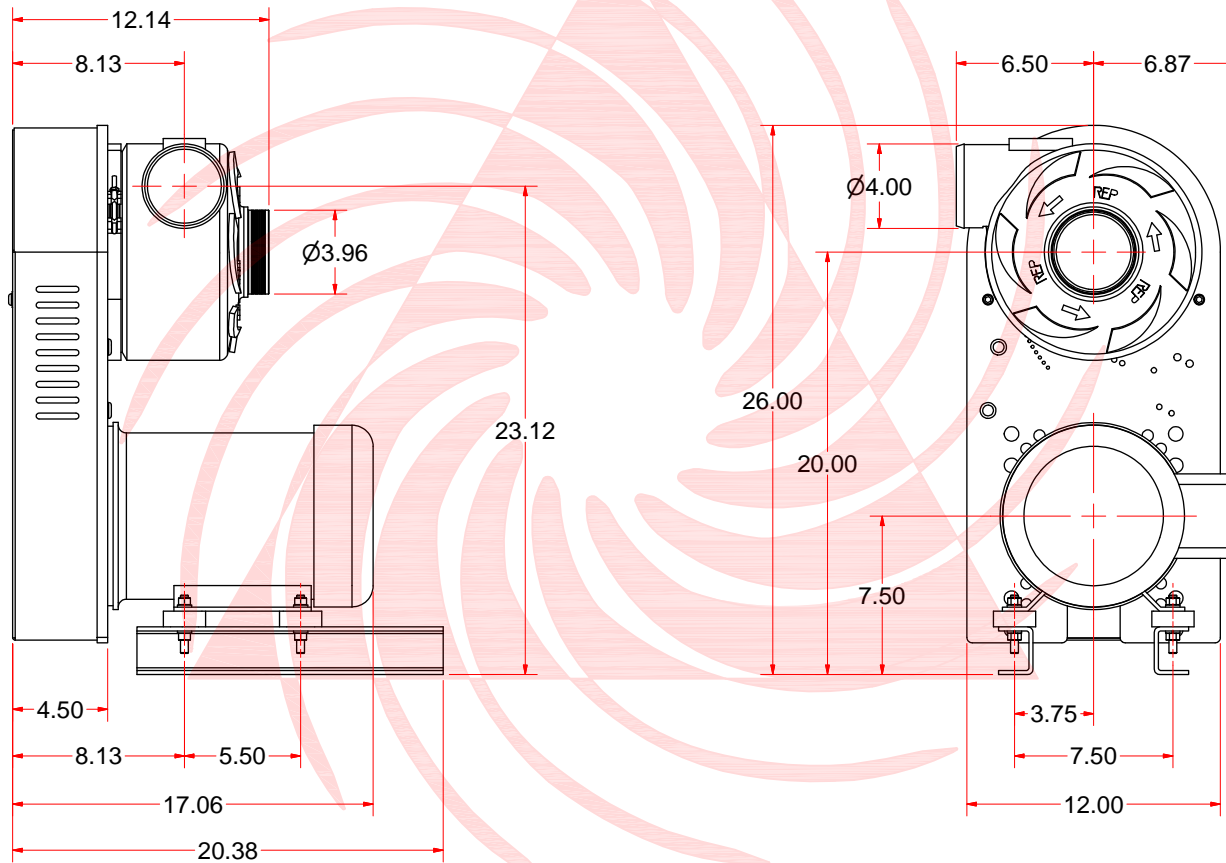


ECR#		REV	DESCR PTIONS	DATE	REV BY	ZONE



REPUBLIC

RB1200 5HP BALDOR MOTOR,
BLOWER POSITION 5

UNLESS OTHERWISE SPECIFIED ALL DIMENSIONS ARE IN INCHES TOLERANCES: DECIMALS: .005 FRACT ONS: 1/32 ANGLES: ±0.30 XX ±.010		DRAWN Ben Valdez ROUTING	7/26/2011	Republic Sales & Mfg. www.republicsales.com	
BREAK ALL SHARP EDGES MACHINE SURFACE FINISH N/RMS 12.5		QA		TITLE RB1200HC Blower Assembly	
NOTICE PROPRIETY RIGHTS INVOLVED THIS DOCUMENT AND ALL ACCOMPANYING INFORMATION AND DATA ARE AND REMAIN THE PROPERTY OF REPUBLIC SALES & MFG. AND ARE NOT TO BE COPIED, REPRODUCED, REPRODUCED, NOR TRANSMITTED OR DISCLOSED TO OTHERS WITHOUT EXPRESS WRITTEN PERMISSION AND ARE TO BE RETURNED UPON REQUEST. THEREFORE, ALL RIGHTS IN PROPERTY AND NOVEL FEATURES OF THE SUBJECT MATTER ARE EXPRESSLY RESERVED BY REPUBLIC SALES & MFG. RECIP ENTS AGREEMENT TO THE FOREGOING IS INDICATED BY ACCEPTANCE OF THIS DOCUMENT.		MFG		SIZE C	DWG NO 200-9600HC
		APPROVED		REV	
		MATERIAL		SCALE	SHEET 1 OF 1
		FINISH			