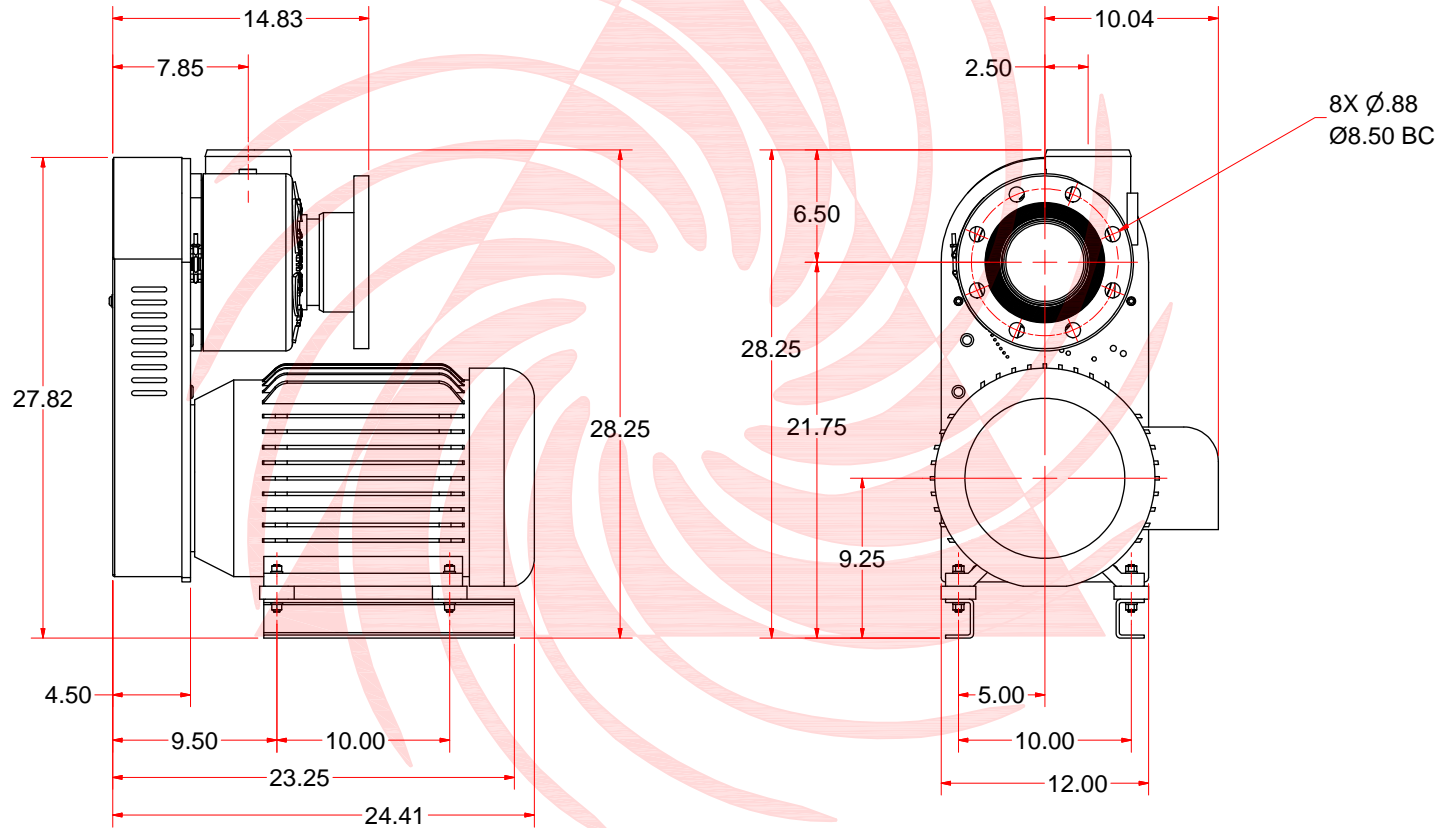


REVISIONS					
ECR#	REV	DESCRIPTIONS	DATE	REV BY	ZONE



REPUBLIC

RB2000 20HP BALDOR MOTOR,
BLOWER POSITION 3

Blower Systems®

UNLESS OTHERWISE SPECIFIED ALL DIMENSIONS ARE IN INCHES TOLERANCES: DECIMALS: .005 FRACTIONS: 1/32 ANGLES: ±0.30 XX ±.010		DRAWN N Torres	7/26/2011	Republic Sales & Mfg. www.republicsales.com	
BROKE ALL SHARP EDGES MACHINE SURFACE FINISH N1 RMS 125		ROUTING		TITLE	
NOTICE PROPRIETY RIGHTS INVOLVED THIS DOCUMENT AND ALL ACCOMPANYING INFORMATION AND DATA ARE AND REMAIN THE PROPERTY OF REPUBLIC SALES & MFG. AND ARE NOT TO BE COPIED, REPRODUCED, REPRODUCED, NOR TRANSMITTED OR DISCLOSED TO OTHERS WITHOUT EXPRESS WRITTEN PERMISSION AND ARE TO BE RETURNED UPON REQUEST. THEREFORE, ALL RIGHTS IN PROPERTY AND NOVEL FEATURES OF THE SUBJECT MATTER ARE EXPRESSLY RESERVED BY REPUBLIC SALES & MFG. RECEIPTS AGREEMENT TO THE FOREGOING IS INDICATED BY ACCEPTANCE OF THIS DOCUMENT.		QA		RB2000 Blower Assembly	
		MFG		SIZE	DWG NO
		APPROVED		C	200-2000
		MATERIAL		SCALE	REV
		FINISH			
			SHEET 1 OF 1		