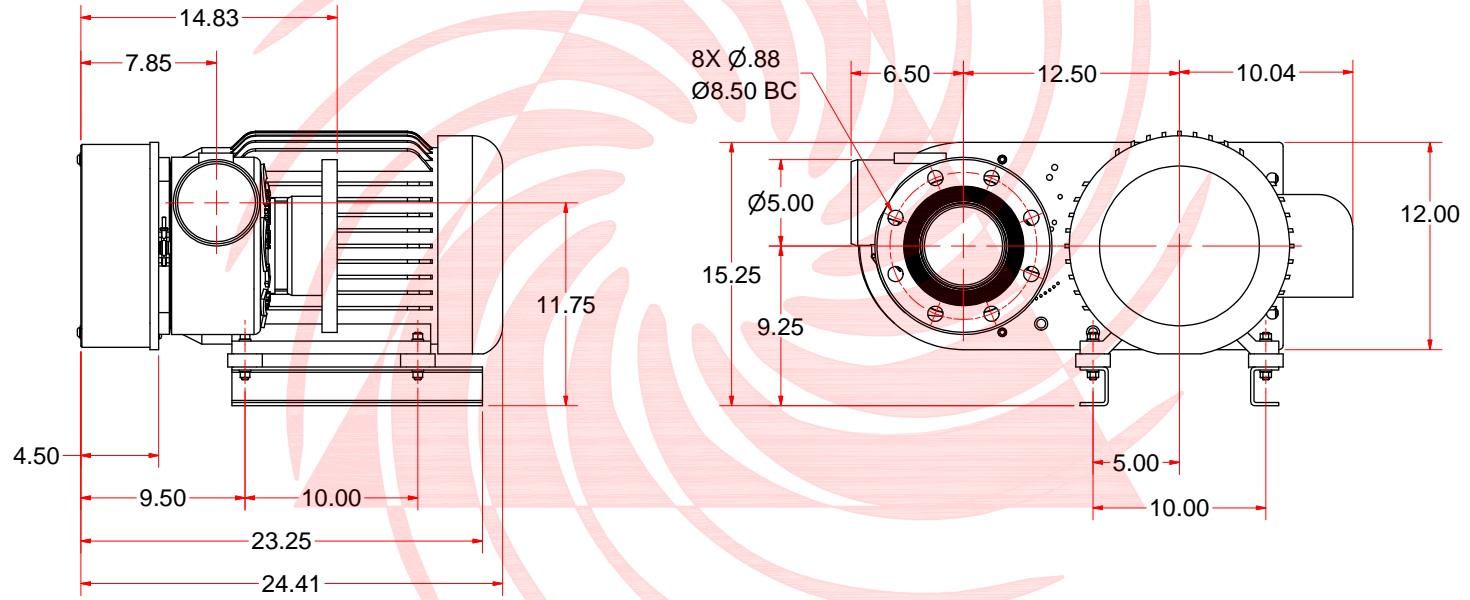


REVISIONS					
ECR#	REV	DESCR PTIONS	DATE	REV BY	ZONE



REPUBLIC

RB2000 20HP BALDOR MOTOR,  
BLOWER POSITION 9

Blower Systems®

UNLESS OTHERWISE SPECIFIED ALL DIMENSIONS ARE IN INCHES "TOLERANCES" DECIMALS:    FRACT ONS:    ANGLES: XXX = ±.005    ± 1/32    ± 0° 30' XX = ±.010	DRAWN N Torres	7/26/2011	Republic Sales & Mfg. www.republicsales.com		
	ROUTING	QA	TITLE RB2000 Blower Assembly		
	MFG	APPROVED	SIZE C	DWG NO 200-2000	REV
	FINISH	MATERIAL	SCALE	SHEET 1 OF 1	1