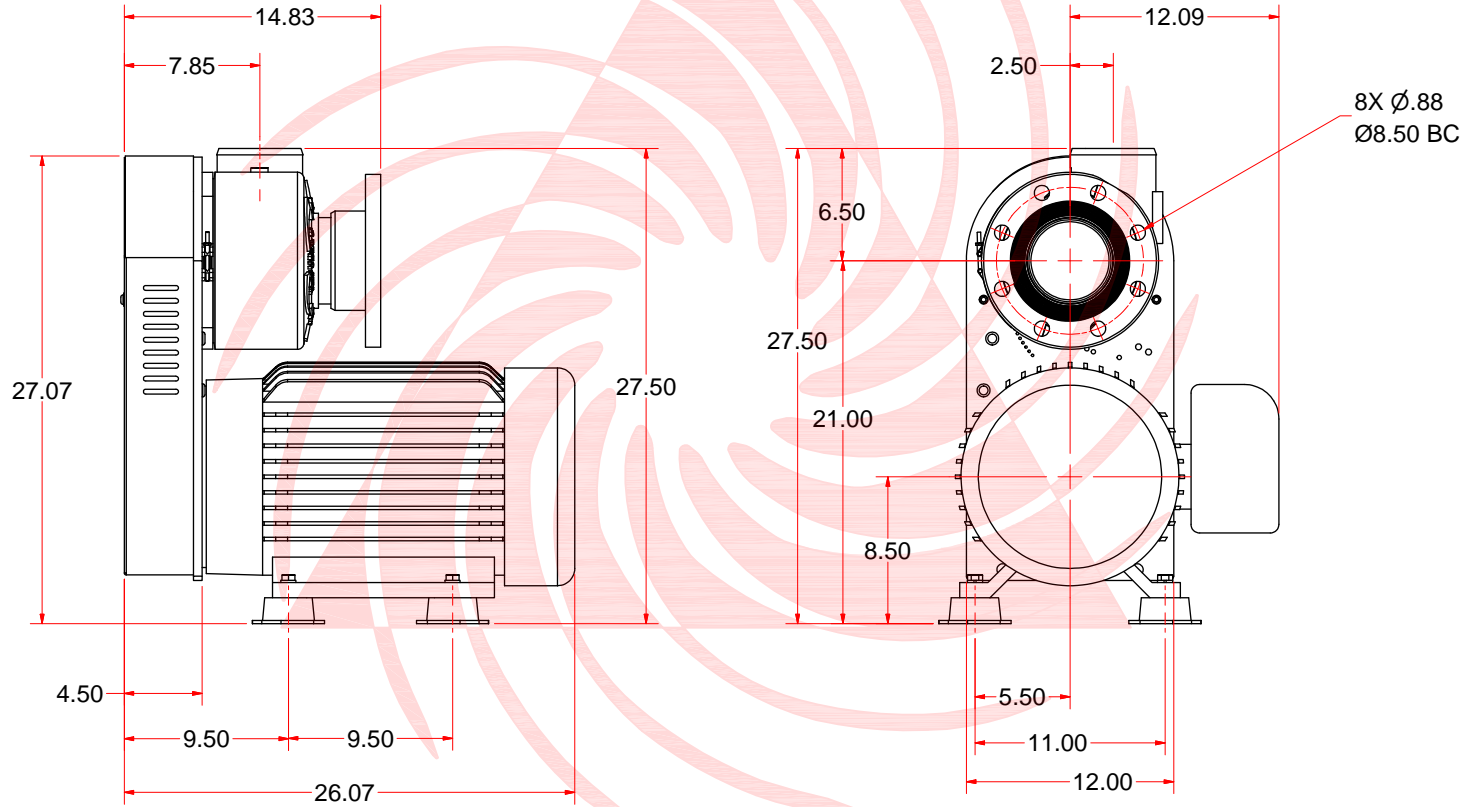


REVISIONS					
ECR#	REV	DESCR PTIONS	DATE	REV BY	ZONE



REPUBLIC

RB2000 25HP BALDOR MOTOR,
BLOWER POSITION 3

Blower Systems®

UNLESS OTHERWISE SPECIFIED ALL DIMENSIONS ARE IN INCHES "TOLERANCES" DECIMALS: .005 FRACT ONS: 1/32 ANGLES: ±0.30 XX ±.010 BREAK ALL SHARP EDGES MACHINE SURFACE FINISH N1 RMS NOTICE PROPRIETY RIGHTS INVOLVED THIS DOCUMENT AND ALL ACCOMPANYING INFORMATION AND DATA ARE AND REMAIN THE PROPERTY OF REPUBLIC SALES & MFG. AND ARE NOT TO BE COPIED, REPRODUCED, REPRODUCED, NOR TRANSMITTED OR DISCLOSED TO OTHERS WITHOUT EXPRESS WRITTEN PERMISSION AND ARE TO BE RETURNED UPON REQUEST. THEREFORE, ALL RIGHTS IN PROPRIETY AND NOVEL FEATURES OF THE SUBJECT MATTER ARE EXPRESSLY RESERVED BY REPUBLIC SALES & MFG. RECIP ENTS AGREEMENT TO THE FOREGOING IS INDICATED BY ACCEPTANCE OF THIS DOCUMENT.	DRAWN N Torres 7/26/2011	Republic Sales & Mfg. www.republicsales.com
	ROUTING	TITLE
	QA	RB2000 Blower Assembly
	MFG	APPROVED
MATERIAL	SIZE	DWG NO
FINISH	C	200-2000
	SCALE	SHEET 1 OF 1