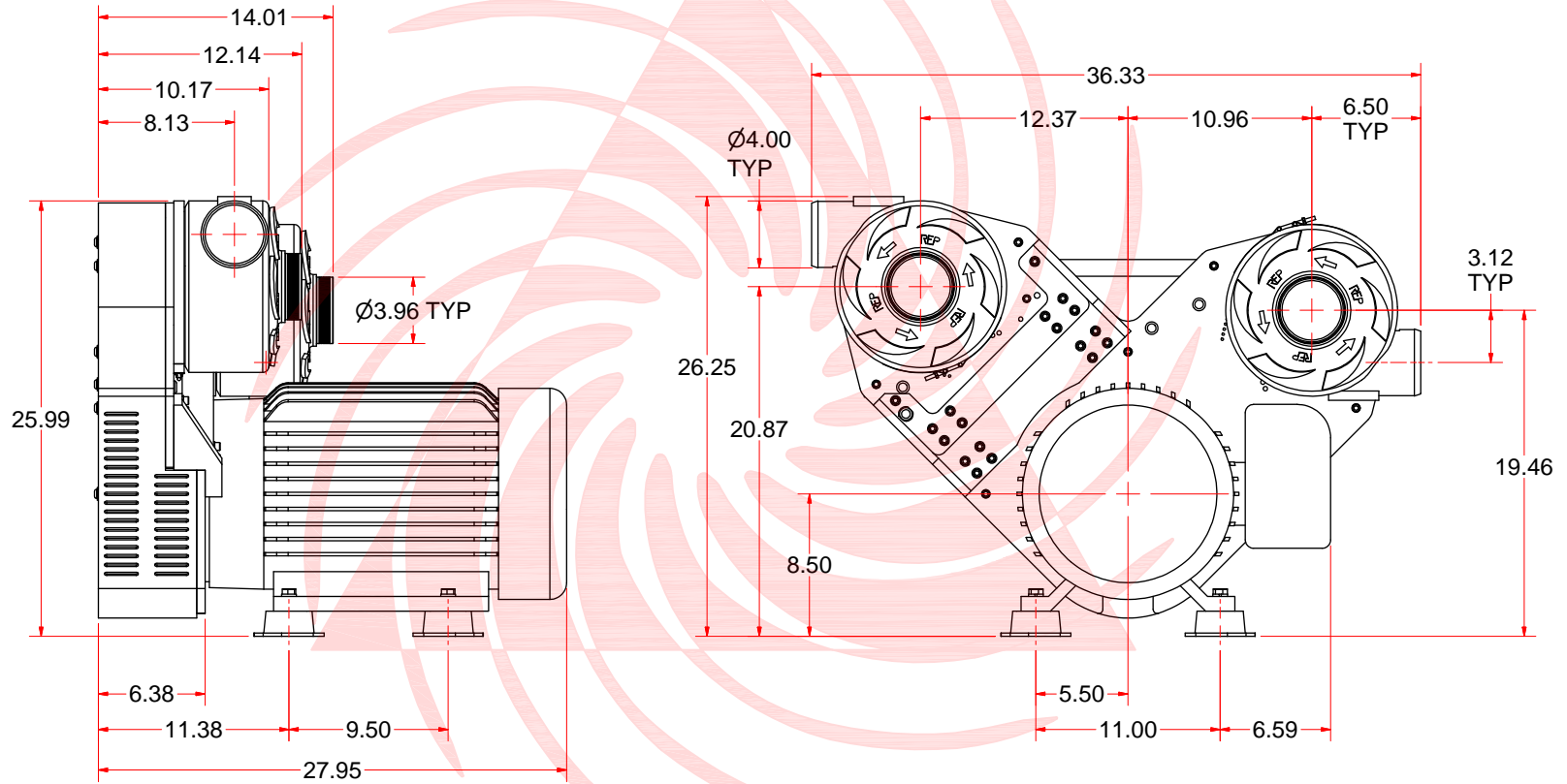


REVISIONS					
ECR#	REV	DESCRIPTIONS	DATE	REV BY	ZONE



REPUBLIC

RB2400 25HP BALDOR MOTOR,
BLOWER POSITION 1, 5

Blower Systems®

UNLESS OTHERWISE SPECIFIED ALL DIMENSIONS ARE IN INCHES		DRAWN Ben Valdez	7/27/2011	Republic Sales & Mfg. www.republicsales.com	
DECIMALS: FRACT ONS: ANGLES: XXX = ± .005 XX = ± .010 ± 1/32 ± 0/30		ROUTING		TITLE	
BREAK ALL SHARP EDGES MACHINE SURFACE FINISH N1 RMS 125		QA		RB2400 Blower Assembly	
NOTICE PROPRIETY RIGHTS INVOLVED THIS DOCUMENT AND ALL ACCOMPANYING INFORMATION AND DATA ARE AND REMAIN THE PROPERTY OF REPUBLIC SALES & MFG. AND ARE NOT TO BE COPIED, REPRODUCED, REPRODUCED, NOR TRANSMITTED OR DISCLOSED TO OTHERS WITHOUT EXPRESS WRITTEN PERMISSION AND ARE TO BE RETURNED UPON REQUEST. THEREFORE, ALL RIGHTS IN PROPRIETY AND NOVEL FEATURES OF THE SUBJECT MATTER ARE EXPRESSLY RESERVED BY REPUBLIC SALES & MFG. RECEIPTS AGREEMENT TO THE FOREGOING IS INDICATED BY ACCEPTANCE OF THIS DOCUMENT.		MFG		SIZE DWG NO REV	
		APPROVED		C	200-9600
		MATERIAL		SCALE	
		FINISH		SHEET 1 OF 1	