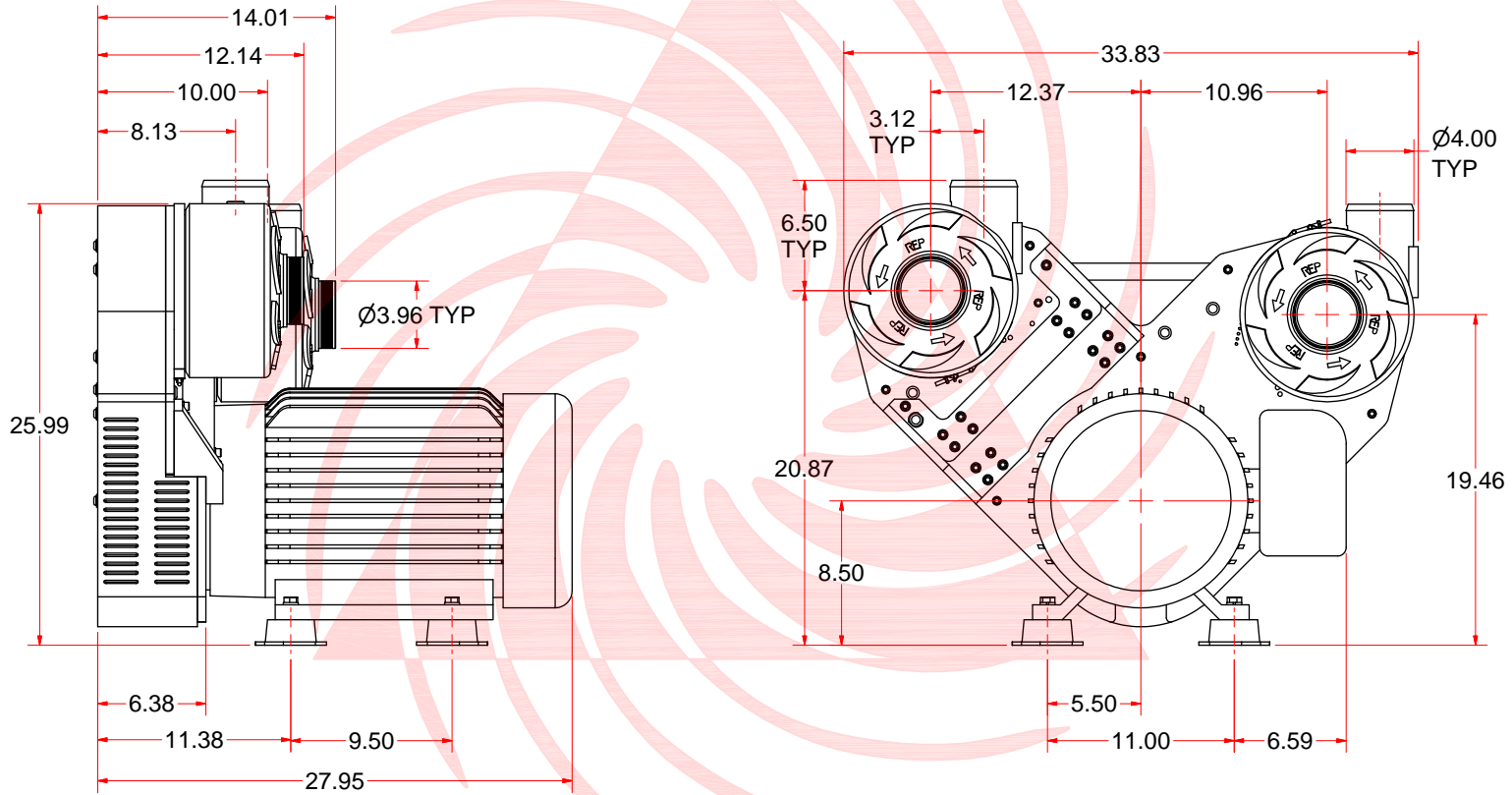


REVISIONS					
ECR#	REV	DESCRIPTIONS	DATE	REV BY	ZONE



REPUBLIC

RB2400 25HP BALDOR MOTOR,  
BLOWER POSITION 3, 3

Blower Systems®

UNLESS OTHERWISE SPECIFIED ALL DIMENSIONS ARE IN INCHES DECIMALS: XXX = ±.005 XX = ±.010 FRACT ONS: ± 1/32 ANGLES: ± 0° 30' BREAK ALL SHARP EDGES MACHINE SURFACE FINISH N1 RMS 125 <b>NOTICE</b> PROPRIETY RIGHTS INVOLVED THIS DOCUMENT AND ALL ACCOMPANYING INFORMATION AND DATA ARE AND REMAIN THE PROPERTY OF REPUBLIC SALES & MFG. AND ARE NOT TO BE COPIED, REPRODUCED, REPRODUCED, NOR TRANSMITTED OR DISCLOSED TO OTHERS WITHOUT EXPRESS WRITTEN PERMISSION AND ARE TO BE RETURNED UPON REQUEST. THEREFORE, ALL RIGHTS IN PROPRIETY AND NOVEL FEATURES OF THE SUBJECT MATTER ARE EXPRESSLY RESERVED BY REPUBLIC SALES & MFG. RECIP ENTS AGREEMENT TO THE FOREGOING IS INDICATED BY ACCEPTANCE OF THIS DOCUMENT.	DRAWN Ben Valdez ROUTING	7/27/2011	Republic Sales & Mfg. www.republicsales.com
	QA	TITLE RB2400 Blower Assembly	SIZE C
	MFG	APPROVED	DWG NO 200-9600
	MATERIAL FINISH	REV	SCALE SHEET 1 OF 1