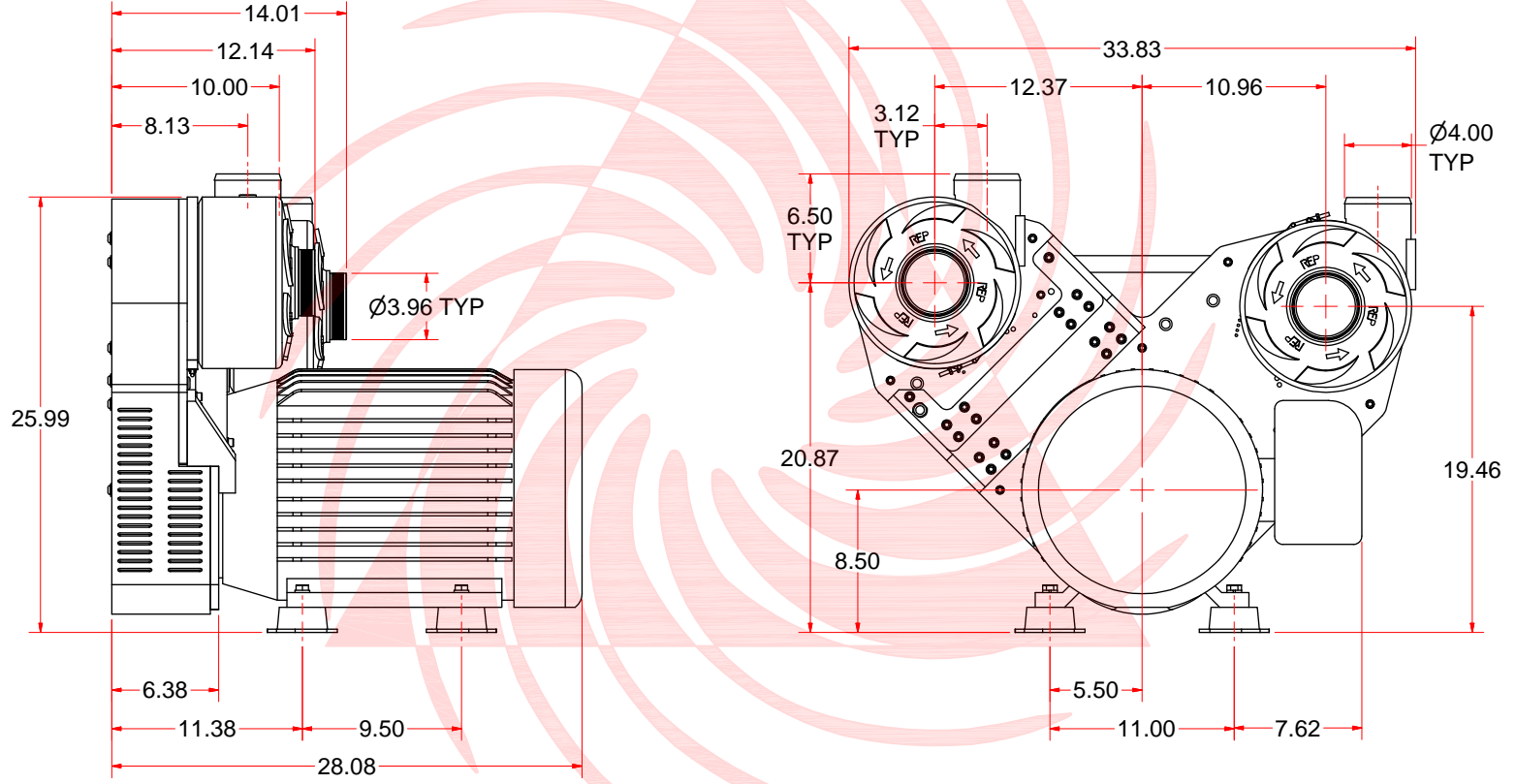


REVISIONS					
ECR#	REV	DESCRIPTIONS	DATE	REV BY	ZONE



REPUBLIC

RB2400 30HP BALDOR MOTOR,
BLOWER POSITION 3, 3

Blower Systems®

UNLESS OTHERWISE SPECIFIED ALL DIMENSIONS ARE IN INCHES		DRAWN Ben Valdez	7/27/2011	Republic Sales & Mfg. www.republicsales.com	
"TOLERANCES"		ROUTING		TITLE	
DECIMALS: .005	FRACT ONS: 1/32	QA		RB2400 Blower Assembly	
ANGLES: 0.30		MFG		SIZE	DWG NO
BREAK ALL SHARP EDGES MACHINE SURFACE FINISH N1 RMS 12.5		APPROVED		C	200-9600
NOTICE PROPERTY RIGHTS INVOLVED THIS DOCUMENT AND ALL ACCOMPANYING INFORMATION AND DATA ARE AND REMAIN THE PROPERTY OF REPUBLIC SALES & MFG. AND ARE NOT TO BE COPIED, REPRODUCED, REPRODUCED, NOR TRANSMITTED OR DISCLOSED TO OTHERS WITHOUT EXPRESS WRITTEN PERMISSION AND ARE TO BE RETURNED UPON REQUEST. THEREFORE, ALL RIGHTS IN PROPERTY AND NOVEL FEATURES OF THE SUBJECT MATTER ARE EXPRESSLY RESERVED BY REPUBLIC SALES & MFG. RECIPIENTS AGREEMENT TO THE FOREGOING IS INDICATED BY ACCEPTANCE OF THIS DOCUMENT.		MATERIAL		SCALE	SHEET 1 OF 1
		FINISH			REV