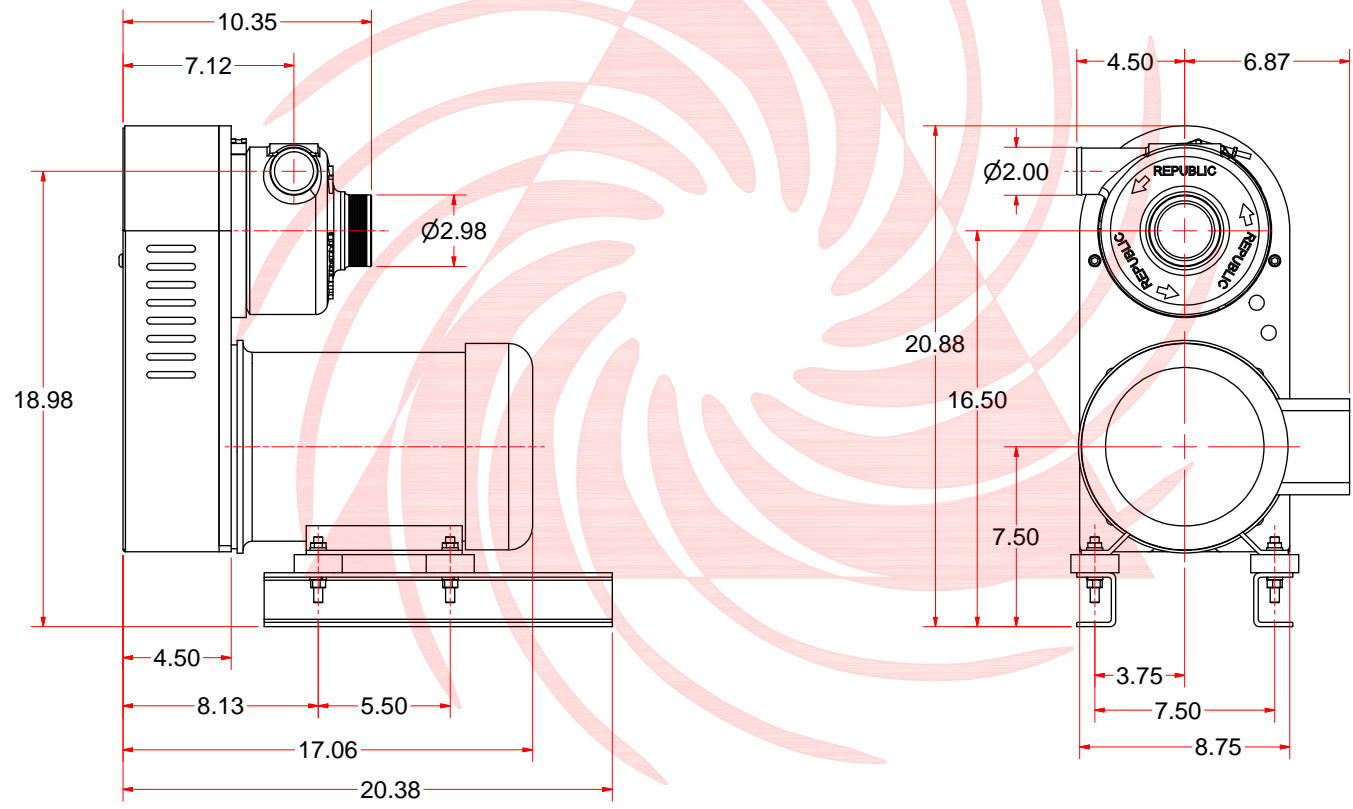


REVISIONS		DATE	REV BY	ZONE
ECR#	REV	DESCR PTIONS		
	B			



REPUBLIC

RB500 5HP BALDOR MOTOR,
BLOWER POSITION 5

UNLESS OTHERWISE SPECIFIED ALL DIMENSIONS ARE IN INCHES		DRAWN N Torres	7/8/2011	Republic Sales & Mfg. www.republicsales.com	
TOLERANCES: DECIMALS: .005 FRACT ONS: 1/32 ANGLES: ±0.30		ROUTING		TITLE	
BREAK ALL SHARP EDGES MACHINE SURFACE FINISH N RMS 12.5		QA		RB500 Blower Assembly	
NOTICE PROPRIETY RIGHTS INVOLVED THIS DOCUMENT AND ALL ACCOMPANYING INFORMATION AND DATA ARE AND REMAIN THE PROPERTY OF REPUBLIC SALES & MFG. AND ARE NOT TO BE COPIED, REPRODUCED, REPRODUCED, TRANSMITTED OR DISCLOSED TO OTHERS WITHOUT EXPRESS WRITTEN PERMISSION AND ARE TO BE RETURNED UPON REQUEST. THEREFORE, ALL RIGHTS IN PROPERTY AND NOVEL FEATURES OF THE SUBJECT MATTER ARE EXPRESSLY RESERVED BY REPUBLIC SALES & MFG. RECEIPTS AGREEMENT TO THE FOREGOING IS INDICATED BY ACCEPTANCE OF THIS DOCUMENT.		MFG		SIZE C	DWG NO 200-5000
		APPROVED		REV B	
		MATERIAL		SCALE	SHEET 1 OF 1
		FINISH			