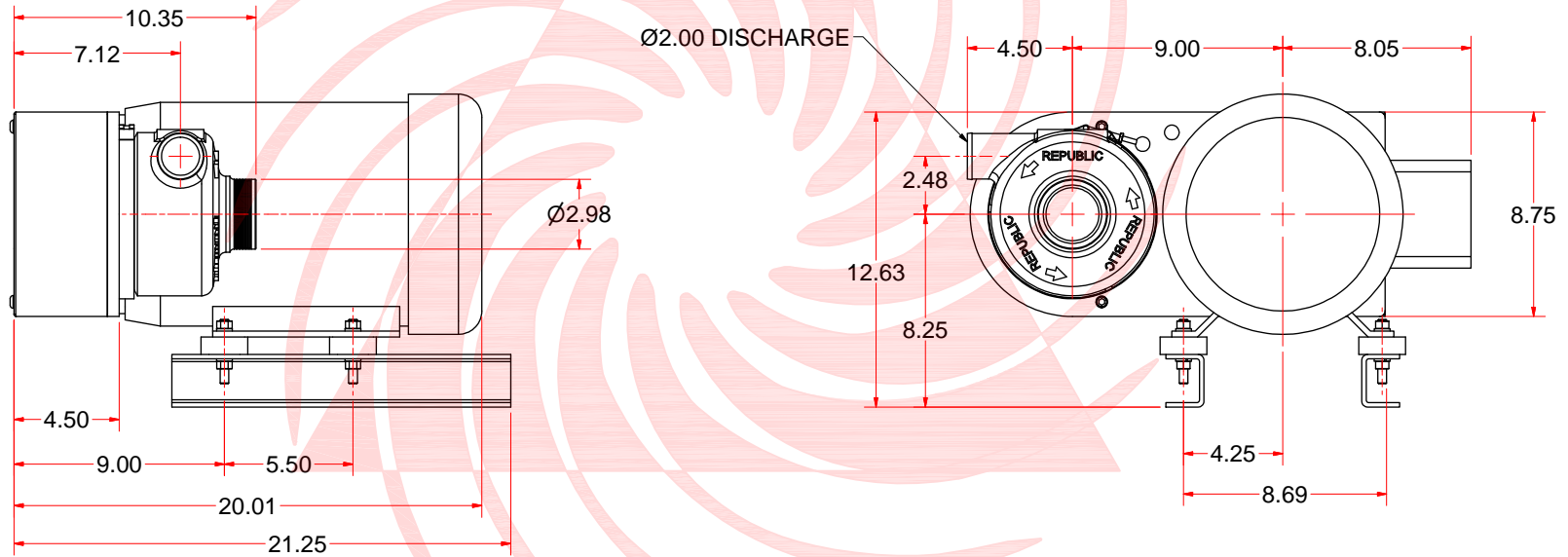


REVISIONS					
ECR#	REV	DESCR PTIONS	DATE	REV BY	ZONE
	B				



REPUBLIC

RB500 7.5HP BALDOR MOTOR,  
BLOWER POSITION 9

Blower Systems®

UNLESS OTHERWISE SPECIFIED ALL DIMENSIONS ARE IN INCHES DECIMALS: XXX = ±.005 XX = ±.010 FRACT ONS: ± 1/32 ANGLES: ± 0° 30' BREAK ALL SHARP EDGES MACHINE SURFACE FINISH N° RMS 12.5 <b>NOTICE</b> PROPRIETY RIGHTS INVOLVED THIS DOCUMENT AND ALL ACCOMPANYING INFORMATION AND DATA ARE AND REMAIN THE PROPERTY OF REPUBLIC SALES & MFG. AND ARE NOT TO BE COPIED, REPRODUCED, REPRODUCED, NOR TRANSMITTED OR DISCLOSED TO OTHERS WITHOUT EXPRESS WRITTEN PERMISSION AND ARE TO BE RETURNED UPON REQUEST. THEREFORE ALL RIGHTS IN PROPRIETY AND NOVEL FEATURES OF THE SUBJECT MATTER ARE EXPRESSLY RESERVED BY REPUBLIC SALES & MFG. RECIP ENTS AGREEMENT TO THE FOREGOING IS INDICATED BY ACCEPTANCE OF THIS DOCUMENT.	DRAWN N Torres 7/8/2011	Republic Sales & Mfg. www.republicsales.com
	ROUTING	TITLE
	QA	RB500 Blower Assembly
	MFG	
APPROVED	SIZE	DWG NO
MATERIAL	C	200-5000
FINISH	SCALE	REV
		B
	SHEET 1 OF 1	