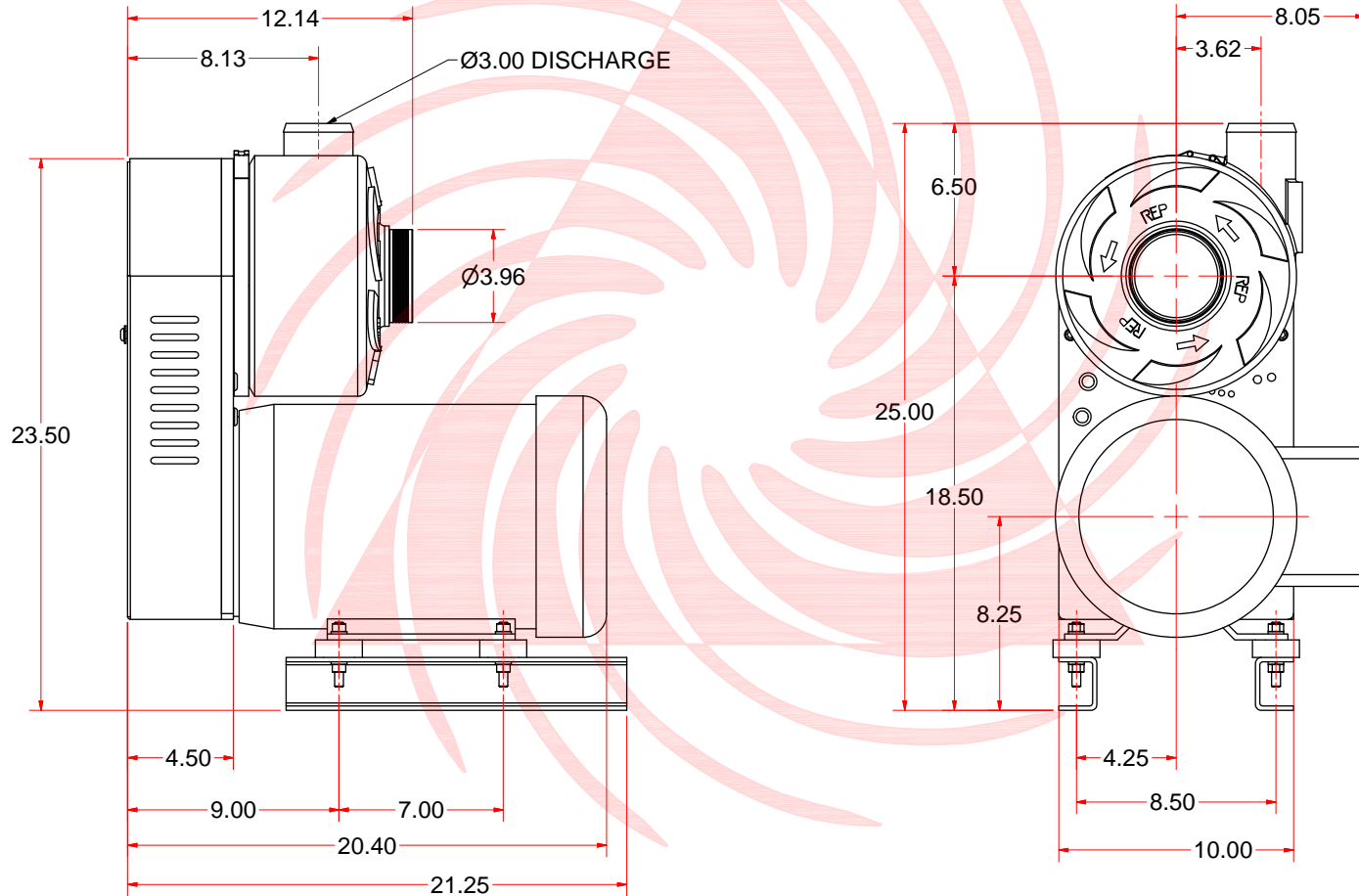


REVISIONS		DATE	REV BY	ZONE
ECR#	REV	DESCR PTIONS		



REPUBLIC

**RB800 10HP BALDOR MOTOR,
BLOWER POSITION 3**

UNLESS OTHERWISE SPECIFIED ALL DIMENSIONS ARE IN INCHES		DRAWN Ben Valdez	7/25/2011	Republic Sales & Mfg. www.republicsales.com	
DECIMALS: FRACT ONS: ANGLES: XXX = ±.005 ± 1/32 ± 0° 30' XX = ±.010		ROUTING		TITLE	
BREAK ALL SHARP EDGES MACHINE SURFACE FINISH N RMS 12.5		QA		RB800 Blower Assembly	
NOTICE PROPERTY RIGHTS INVOLVED THIS DOCUMENT AND ALL ACCOMPANYING INFORMATION AND DATA ARE AND REMAIN THE PROPERTY OF REPUBLIC SALES & MFG. AND ARE NOT TO BE COPIED, REPRODUCED, REPRINTED, TRANSMITTED OR DISCLOSED TO OTHERS WITHOUT EXPRESS WRITTEN PERMISSION AND ARE TO BE RETURNED UPON REQUEST. THEREFORE, ALL RIGHTS IN PROPERTY AND NOVEL FEATURES OF THE SUBJECT MATTER ARE EXPRESSLY RESERVED BY REPUBLIC SALES & MFG. RECIP ENTS AGREEMENT TO THE FOREGOING IS INDICATED BY ACCEPTANCE OF THIS DOCUMENT.		MFG		SIZE	DWG NO
		APPROVED		C	200-8500
		MATERIAL		SCALE	REV
		FINISH			1
				SHEET	1 OF 1