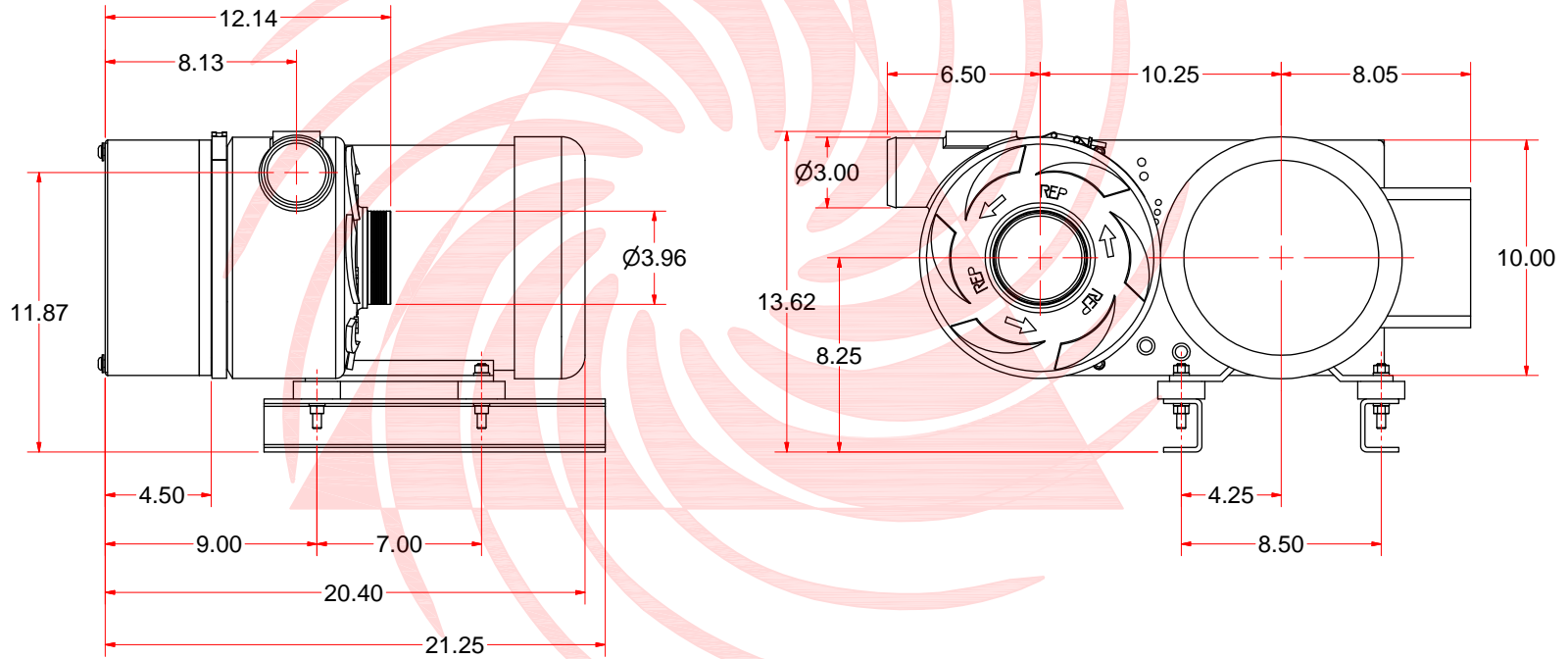


REVISIONS					
ECR#	REV	DESCR PTIONS	DATE	REV BY	ZONE



REPUBLIC

RB800 10HP BALDOR MOTOR,
BLOWER POSITION 9

<p>UNLESS OTHERWISE SPECIFIED ALL DIMENSIONS ARE IN INCHES</p> <p>DECIMALS: FRACT ONS: ANGLES: XX = ± .005 ± 1/32 ± 0° 30'</p> <p>BREAK ALL SHARP EDGES MACHINE SURFACE FINISH N° RMS 125</p> <p>NOTICE PROPRIETY RIGHTS INVOLVED THIS DOCUMENT AND ALL ACCOMPANYING INFORMATION AND DATA ARE AND REMAIN THE PROPERTY OF REPUBLIC SALES & MFG. AND ARE NOT TO BE COPIED, REPRODUCED, REPRODUCED, TRANSMITTED OR DISCLOSED TO OTHERS WITHOUT EXPRESS WRITTEN PERMISSION AND ARE TO BE RETURNED UPON REQUEST. THEREFORE, ALL RIGHTS IN PROPERTY AND NOVEL FEATURES OF THE SUBJECT MATTER ARE EXPRESSLY RESERVED BY REPUBLIC SALES & MFG. RECIP ENTS AGREEMENT TO THE FOREGOING IS INDICATED BY ACCEPTANCE OF THIS DOCUMENT.</p>	<p>DRAWN Ben Valdez</p>	<p>7/25/2011</p>	<p>Republic Sales & Mfg. www.republicsales.com</p>		
	<p>ROUTING</p>	<p>QA</p>	<p>MFG</p>	<p>TITLE</p> <p>RB800 Blower Assembly</p>	
	<p>APPROVED</p>	<p>MATERIAL</p>	<p>FINISH</p>	<p>SIZE</p> <p>C</p>	<p>DWG NO</p> <p>200-8500</p>
	<p>SCALE</p>	<p>SHEET 1 OF 1</p>	<p>REV</p> <p>1</p>	<p>REV</p>	