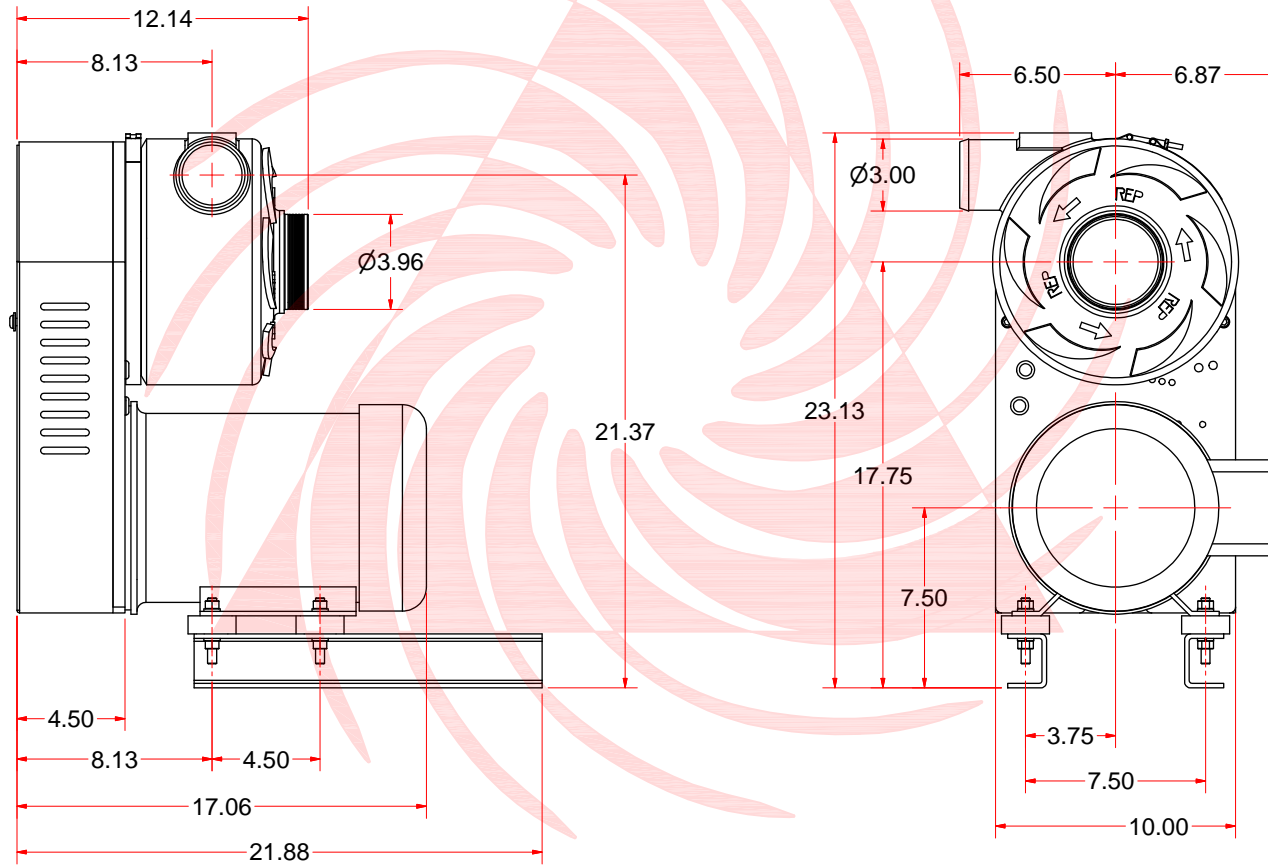


REVISIONS					
ECR#	REV	DESCR PTIONS	DATE	REV BY	ZONE



REPUBLIC

RB800 3HP BALDOR MOTOR,
BLOWER POSITION 5

UNLESS OTHERWISE SPECIFIED ALL DIMENSIONS ARE IN INCHES		DRAWN Ben Valdez	7/25/2011	Republic Sales & Mfg. www.republicsales.com	
DECIMALS: XX = ±.005 XX = ±.010		FRACT ONS: 1/32	ANGLES: ±0°30'	TITLE	
BREA K ALL SHARP EDGES MACHINE SURFACE FINISH N RMS 12.5		ROUTING	QA	RB800 Blower Assembly	
NOTICE PROPRIETY RIGHTS INVOLVED THIS DOCUMENT AND ALL ACCOMPANYING INFORMATION AND DATA ARE AND REMAIN THE PROPERTY OF REPUBLIC SALES & MFG. AND ARE NOT TO BE COPIED, REPRODUCED, REPRODUCED, TRANSMITTED OR DISCLOSED TO OTHERS WITHOUT EXPRESS WRITTEN PERMISSION AND ARE TO BE RETURNED UPON REQUEST. THEREFORE, ALL RIGHTS IN PROPERTY AND NOVEL FEATURES OF THE SUBJECT MATTER ARE EXPRESSLY RESERVED BY REPUBLIC SALES & MFG. RECIPIENTS AGREEMENT TO THE FOREGOING IS INDICATED BY ACCEPTANCE OF THIS DOCUMENT.		MFG	APPROVED	SIZE DWG NO C 200-8500	
		MATERIAL	FINISH	REV 1	
		SCALE		SHEET 1 OF 1	