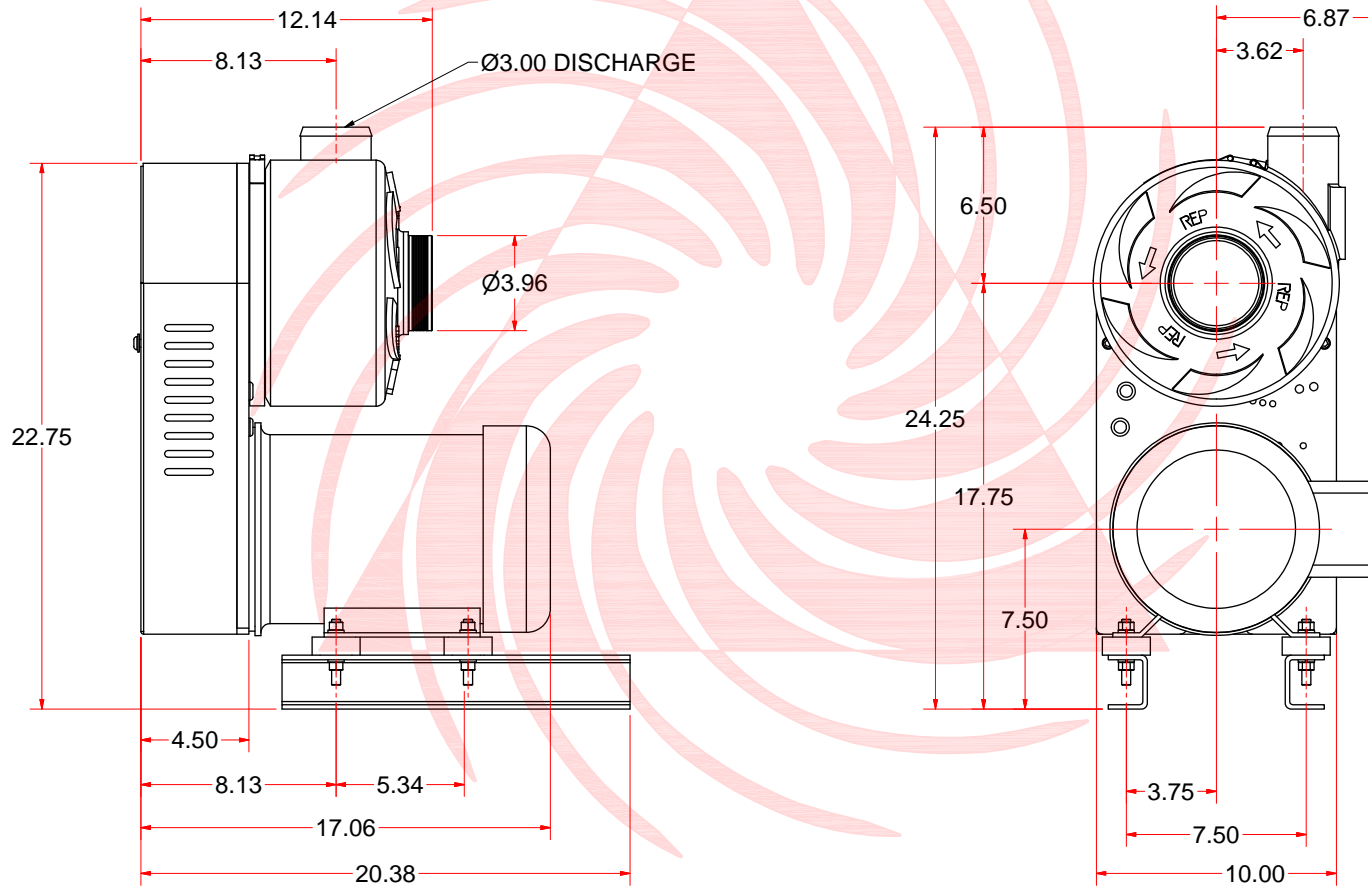


ECR#		REV	DESCR PTIONS	DATE	REV BY	ZONE



REPUBLIC

RB800 5HP BALDOR MOTOR,
BLOWER POSITION 3

<p>UNLESS OTHERWISE SPECIFIED ALL DIMENSIONS ARE IN INCHES</p> <p>DECIMALS: FRACT ONS: ANGLES: XX = ±.005 XX = ±.010 ± 1/32 ± 0/30</p> <p>BREAK ALL SHARP EDGES MACHINE SURFACE FINISH N/RMS 12.5</p> <p>NOTICE PROPRIETY RIGHTS INVOLVED THIS DOCUMENT AND ALL ACCOMPANYING INFORMATION AND DATA ARE AND REMAIN THE PROPERTY OF REPUBLIC SALES & MFG. AND ARE NOT TO BE COPIED, REPRODUCED, REPRODUCED, TRANSMITTED OR DISCLOSED TO OTHERS WITHOUT EXPRESS WRITTEN PERMISSION AND ARE TO BE RETURNED UPON REQUEST. THEREFORE, ALL RIGHTS IN PROPRIETY AND NOVEL FEATURES OF THE SUBJECT MATTER ARE EXPRESSLY RESERVED BY REPUBLIC SALES & MFG. RECIP ENTS AGREEMENT TO THE FOREGOING IS INDICATED BY ACCEPTANCE OF THIS DOCUMENT.</p>	<p>DRAWN Ben Valdez</p> <p>ROUTING</p> <p>QA</p> <p>MFG</p> <p>APPROVED</p> <p>MATERIAL</p> <p>FINISH</p>	<p>7/25/2011</p>	<p>Republic Sales & Mfg. www.republicsales.com</p>
			<p>TITLE</p> <p>RB800 Blower Assembly</p>
			<p>SIZE DWG NO REV</p> <p>C 200-8500 1</p>
			<p>SCALE SHEET 1 OF 1</p>