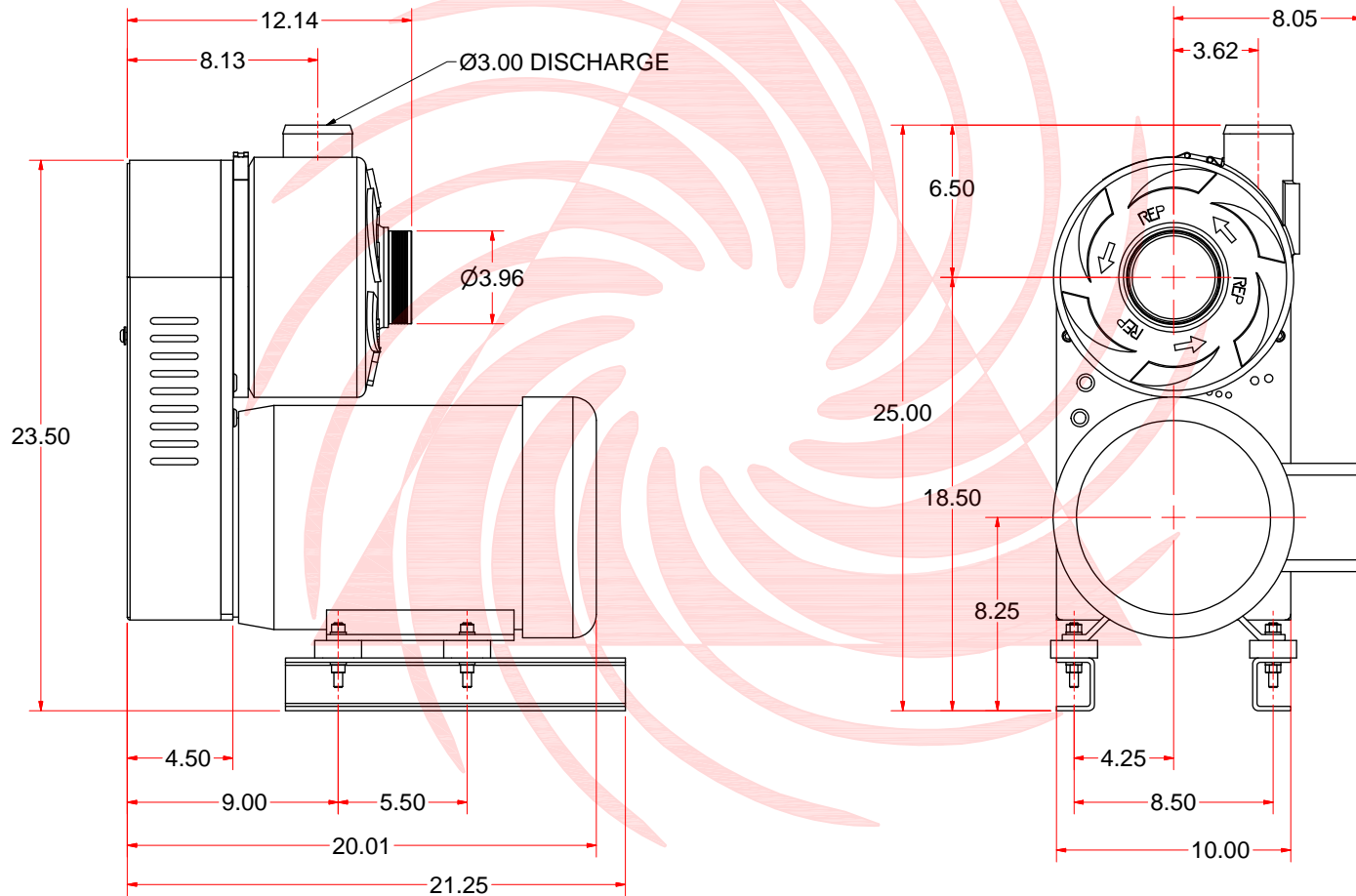


| REVISIONS | | DATE | REV BY | ZONE |
|-----------|-----|--------------|--------|------|
| ECR# | REV | DESCR PTIONS | | |



REPUBLIC

**RB800 7.5HP BALDOR MOTOR,
BLOWER POSITION 3**

| | | | | | |
|---|--|---------------------|-----------|--|----------|
| UNLESS OTHERWISE SPECIFIED ALL DIMENSIONS ARE IN INCHES | | DRAWN Ben Valdez | 7/25/2011 | Republic Sales & Mfg. www.republicsales.com | |
| DECIMALS: FRACT ONS: ANGLES: XXX = ±.005 ± 1/32 ± 0° 30' | | ROUTING | | TITLE | |
| BREAk ALL SHARP EDGES MACHINE SURFACE FINISH N° RMS 125 | | QA | | RB800 Blower Assembly | |
| NOTICE PROPRiETY RiGHTS INVOLVED THIS DOCUMENT AND ALL ACCOMPANYING INFORMATION AND DATA ARE AND REMAIN THE PROPERTY OF REPUBLIC SALES & MFG. AND ARE NOT TO BE COPIED, REPRODUCED, REPRODUCED, NOR TRANSMITTED OR DISCLOSED TO OTHERS WITHOUT EXPRESS WRITTEN PERMISSION AND ARE TO BE RETURNED UPON REQUEST. THEREFORE, ALL RiGHTS IN PROPRiETY AND NOVEL FEATURES OF THE SUBJECT MATTER ARE EXPRESSLY RESERVED BY REPUBLIC SALES & MFG. RECIPIENTS AGREEMENT TO THE FOREGOING IS INDICATED BY ACCEPTANCE OF THIS DOCUMENT. | | MFG | | SIZE | DWG NO |
| | | APPROVED | | C | 200-8500 |
| | | MATERIAL | | SCALE | REV |
| | | FINISH | | | 1 |
| | | | | SHEET | 1 OF 1 |