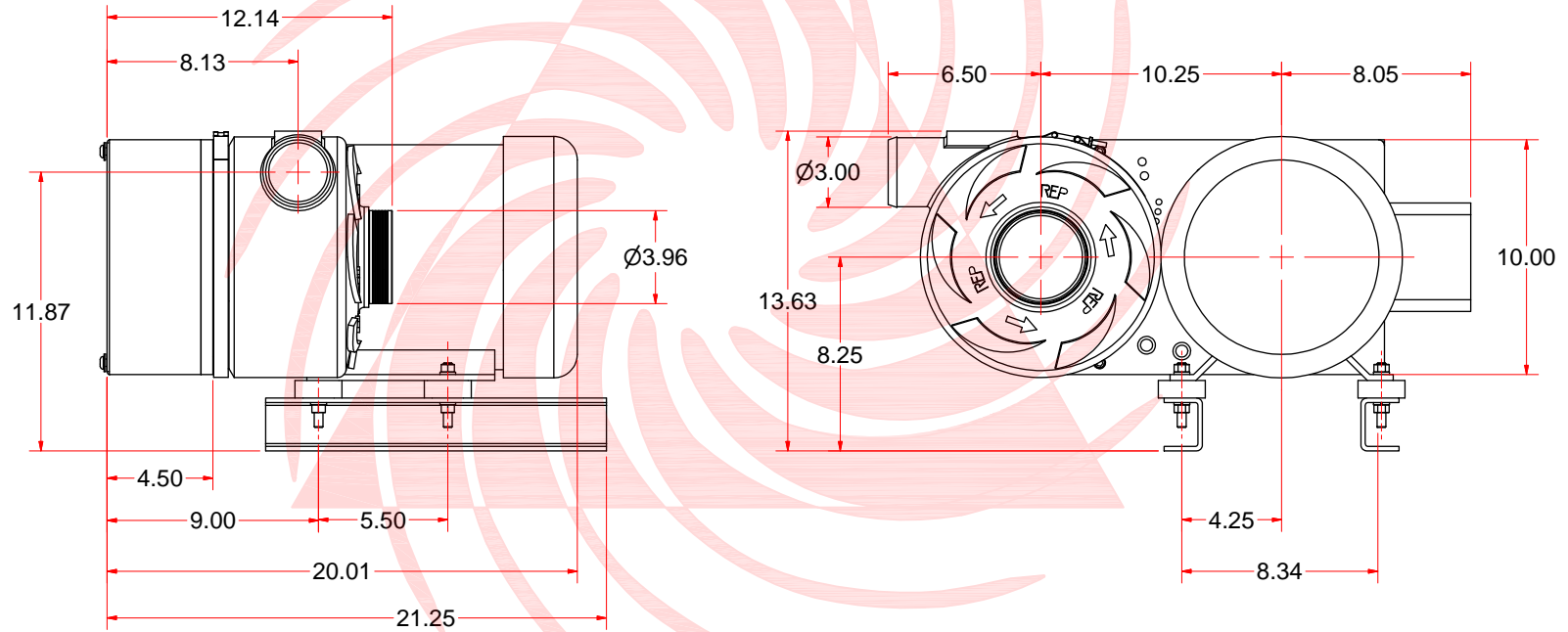


REVISIONS					
ECR#	REV	DESCR PTIONS	DATE	REV BY	ZONE



REPUBLIC

RB800 7.5HP BALDOR MOTOR,
BLOWER POSITION 9

UNLESS OTHERWISE SPECIFIED ALL DIMENSIONS ARE IN INCHES		DRAWN Ben Valdez	7/25/2011	Republic Sales & Mfg. www.republicsales.com	
DECIMALS: XXX = ± .005 XX = ± .010	FRACT ONS: ± 1/32	ANGLES: ± 0° 30'	ROUTING	TITLE	
BREAK ALL SHARP EDGES MACHINE SURFACE FINISH N° RMS 125			QA	RB800 Blower Assembly	
NOTICE PROPERTY RIGHTS INVOLVED THIS DOCUMENT AND ALL ACCOMPANYING INFORMATION AND DATA ARE AND REMAIN THE PROPERTY OF REPUBLIC SALES & MFG. AND ARE NOT TO BE COPIED, REPRODUCED, REPRODUCED, TRANSMITTED OR DISCLOSED TO OTHERS WITHOUT EXPRESS WRITTEN PERMISSION AND ARE TO BE RETURNED UPON REQUEST. THEREFORE, ALL RIGHTS IN PROPERTY AND NOVEL FEATURES OF THE SUBJECT MATTER ARE EXPRESSLY RESERVED BY REPUBLIC SALES & MFG. RECIP ENTS AGREEMENT TO THE FOREGOING IS INDICATED BY ACCEPTANCE OF THIS DOCUMENT.			MFG	SIZE DWG NO C 200-8500	
APPROVED			MATERIAL	REV	
FINISH			SCALE	SHEET 1 OF 1	