



## FEATURES

- Powder coated aluminum enclosure for environmental protection and noise reduction
- Single source of power
- Easily visible filter change and pressure gauges
- Factory-set relief valve
- Direct-driven
- Continuous, contactless, oil-free operation
- Simple installation
- Virtually maintenance-free
- Available for pressure or vacuum

## APPLICATIONS

Any oil free application including:

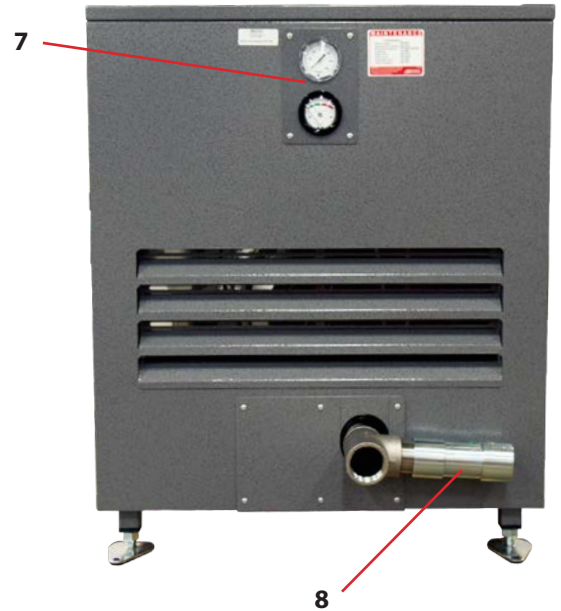
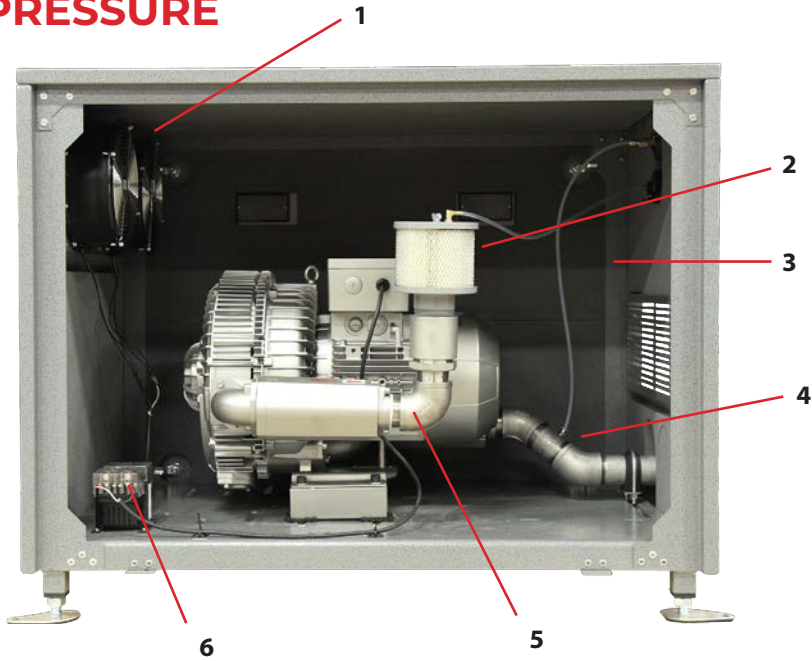
- Wastewater aeration
- Soil remediation
- Conveying
- Drying
- Vacuum hold down
- Food processing

## OPTIONAL ACCESSORIES

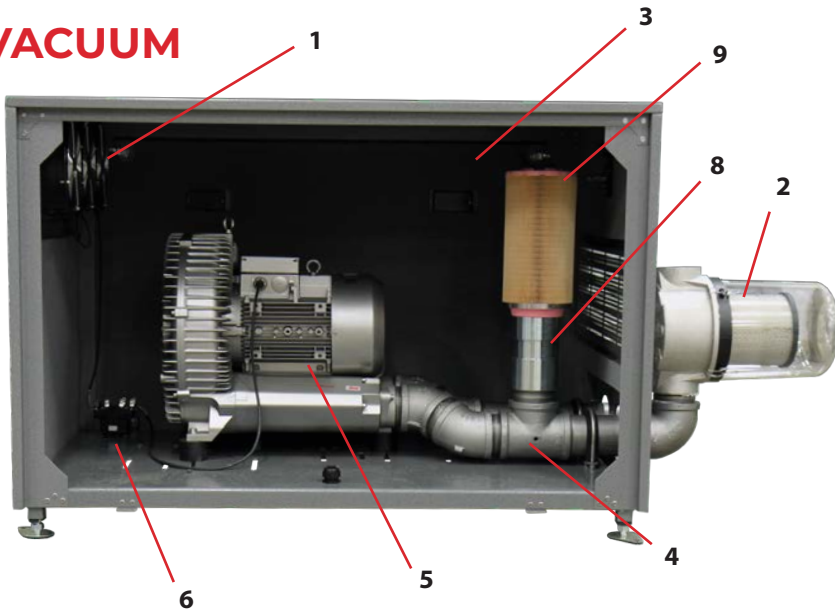
- Explosion proof motors
- Direct-coupled packages
- Specialty motors
- Motor starter
- Control panel
- PLC
- Central systems

# KENC-SERIES

## PRESSURE



## VACUUM



Position	Description	Position	Description
1	Cooling Fans	6	Single-Source Power
2	Filter	7	Pressure & Filter Gauges
3	Acoustical Foam	8	Relief Valve
4	Piping	9	Relief Valve Filter (vacuum only)
5	Blower		

**CONTACT**

