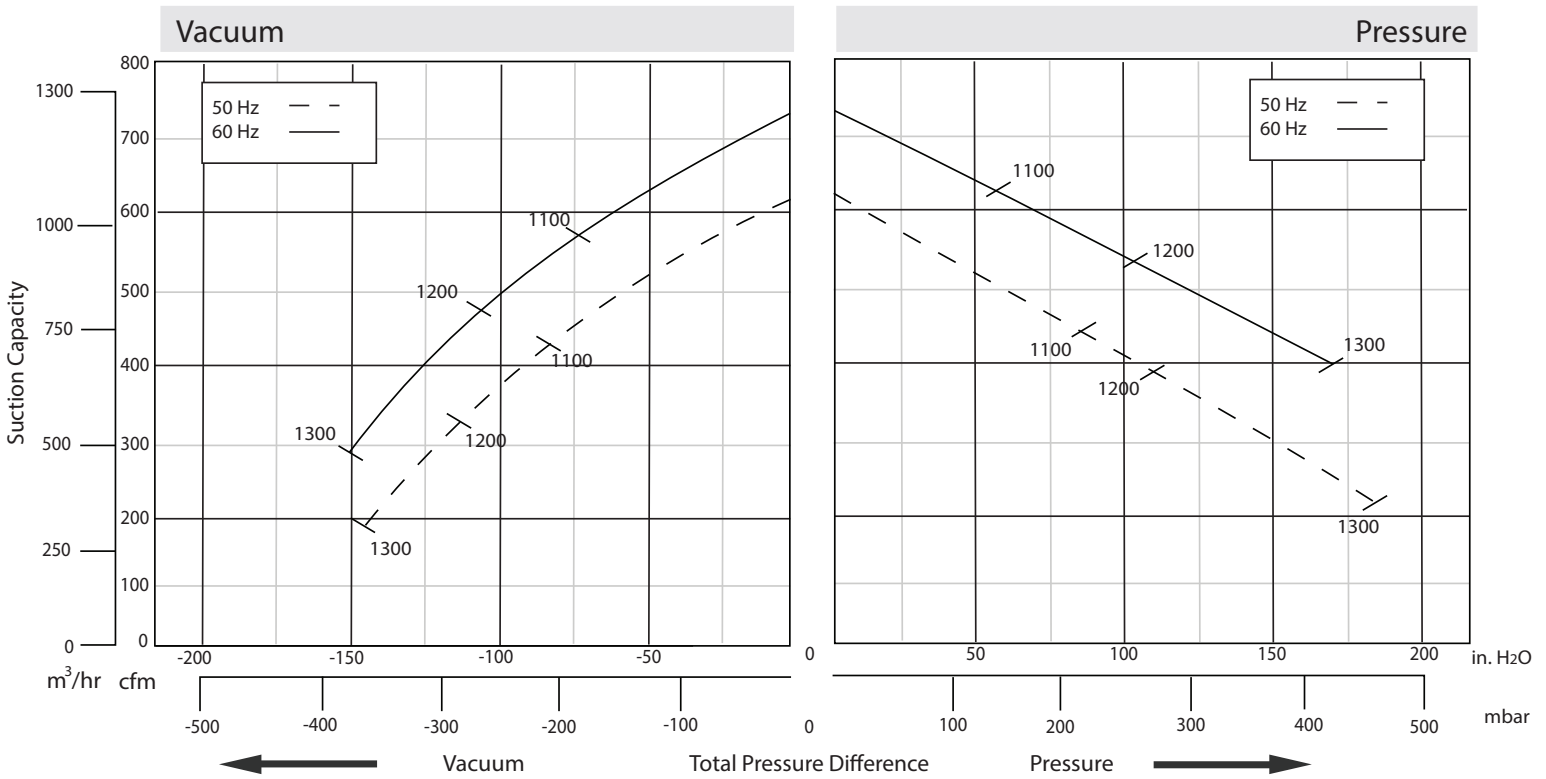


Republic offers a complete line of regenerative blowers for high vacuum or compressed air applications in both horizontal and vertical mounted positions. TEFC motors are rated for 50/60 Hz operation and are IE3, cUL, UL, and CE certified. The impeller is directly connected to the motor shaft, providing powerful air force without undue friction. The bearings are outside the compression chamber, ensuring maximum operational reliability under high differential pressure. Constructed in robust die-cast aluminum, this low-maintenance, oil-free design provides continuous, dependable service to our customers.

IE3
CC339B
CE
CUL US
E493872



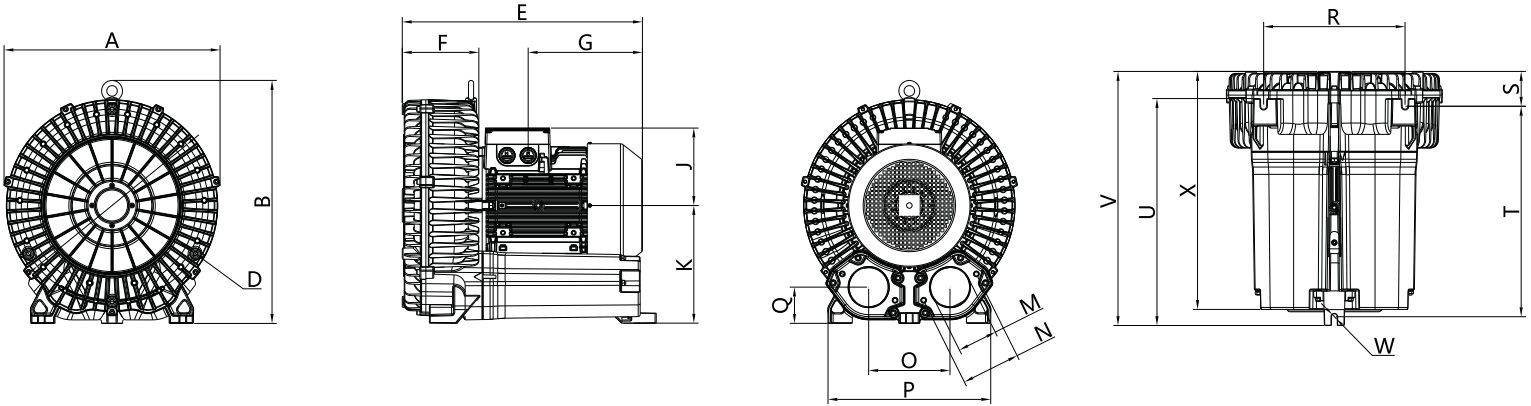
PERFORMANCE



Model	Phase	Frequency (Hz)	Air flow (CFM/m³/hr)	Rated Vacuum (in. H ₂ O/mbar)	Rated Pressure (in. H ₂ O/mbar)	Motor (HP/kW)	Voltage (V)	Current (A)	Sound Level (dB)	Weight (lb/kg)
HRC 1100	3	50	618/1050	84/210	84/210	11.4/8.5	190 △△/380 △	36.4 △△/18.2 △	74	205/93
		60	736/1250	72/180	56/140	13.1/9.8	230 △△/460 △	31.6 △△/18.2 △	79	
HRC 1200	3	50	618/1050	112/280	108/270	16.8/12.5	190 △△/380 △	56.0 △△/28.0 △	74	256/116
		60	736/1250	108/270	104/260	19.4/14.5	230 △△/460 △	50.1 △△/29.0 △	79	
HRC 1300	3	50	618/1050	136/340	185/460	24.8/18.5	190 △△/380 △	74.0 △△/37.0 △	74	278/126
		60	736/1250	153/380	169/420	28.6/21.3	230 △△/460 △	67.5 △△/39.0 △	79	

The performance curves are based on air at a temperature of 59 °F and an atmospheric pressure of 29.91 inch Hg with a tolerance of +/-10%. The total pressure differences are valid for inlet and ambient temperatures up to 77 °F. Suction capacity relates to inlet conditions. Pressure capacity relates to atmospheric conditions. For other conditions please contact Republic. Three phase motor tolerances are +/-10% for fixed voltage motors and +/-5% for voltage range motors. Single phase machines are designed with a +/-5% tolerance. The frequency tolerance is +/-2% maximum.

APPROXIMATE DIMENSIONS

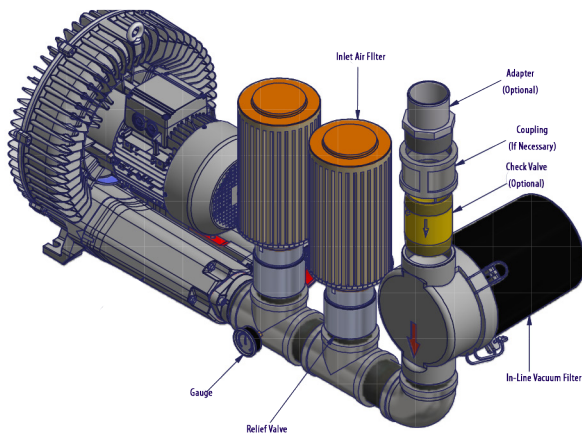


Model	Unit	A	B	D	E	F	G	J	K	M	N	O	P	Q	R	S	T	U	V	W
HRC 1100	in	21.65	24.33	M12	20.67	6.10	8.98	6.57	11.77	4.00	5.91	8.15	16.30	3.62	14.17	3.46	21.06	22.72	25.43	0.59
	mm	550	618		525	155	228	167	299		150	207	414	92	360	88	535	577	646	15
HRC 1200	in	21.65	24.33	M12	25.43	6.10	11.46	7.76	11.77	4.00	5.91	8.15	16.30	3.62	14.17	3.46	21.06	22.72	25.43	0.59
	mm	550	618		646	155	291	197	299		150	207	414	92	360	88	535	577	646	15
HRC 1300	in	21.65	24.33	M12	25.55	6.10	11.46	7.76	11.77	4.00	5.91	8.15	16.30	3.62	14.17	3.46	21.06	22.72	25.43	0.59
	mm	550	618		649	155	291	197	299		150	207	414	92	360	88	535	577	646	15

Available Options

All Republic Regenerative Blowers are available in pre-assembled kits for either pressure or vacuum applications. These kits include an inlet filter, gauge and relief valve, and are factory tested prior to shipment. Optional items for these kits include check valve, and tube adaptor; washdown motors, explosion proof motors, or other specialty motors; noise enclosures; and control panels such as VFD's, PLC's, or starter panels.

VACUUM KIT



PRESSURE KIT

