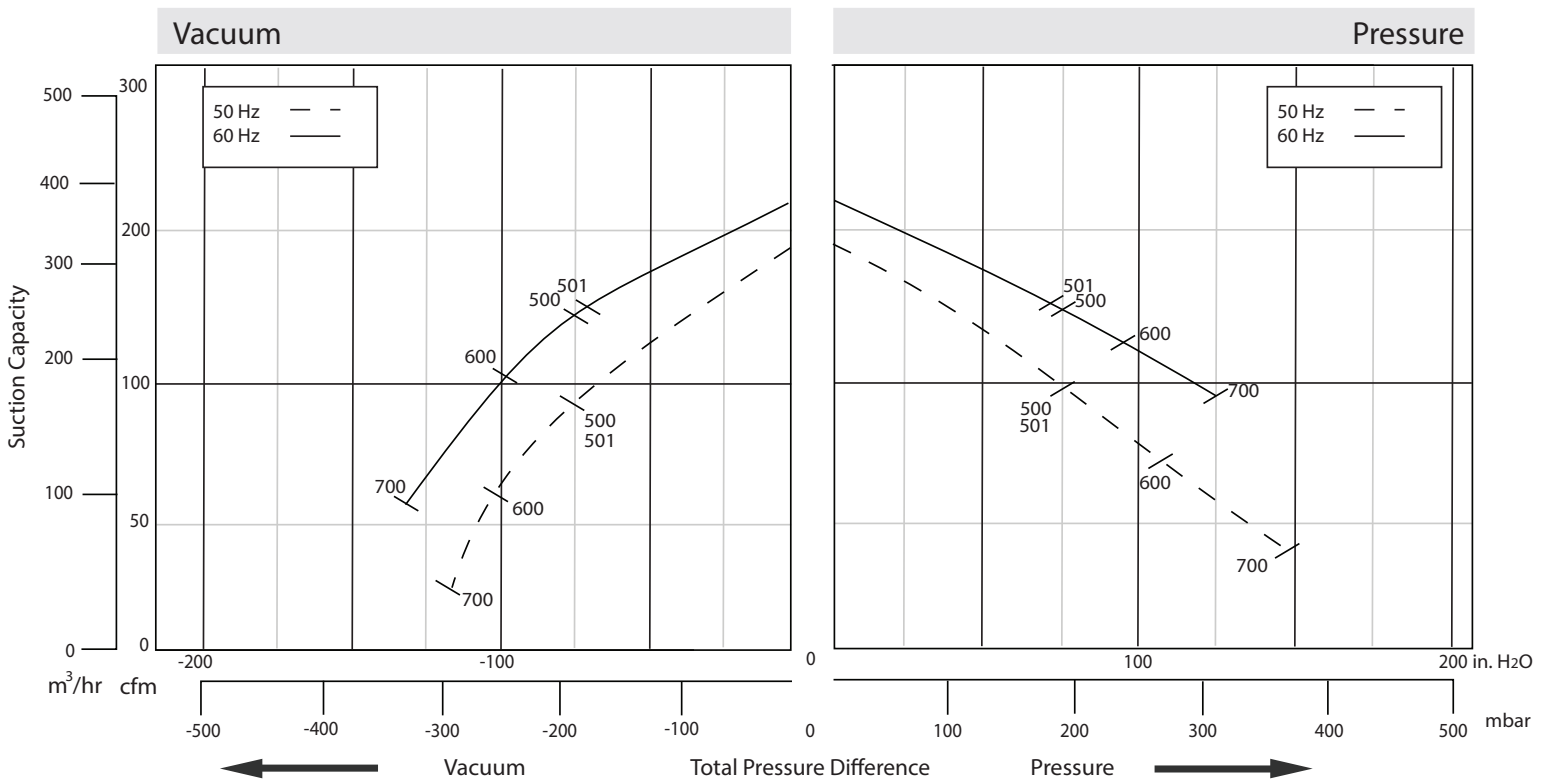


Republic offers a complete line of regenerative blowers for high vacuum or compressed air applications in both horizontal and vertical mounted positions. TEFC motors are rated for 50/60 Hz operation and are IE3, cUL, UL, and CE certified. The impeller is directly connected to the motor shaft, providing powerful air force without undue friction. The bearings are outside the compression chamber, ensuring maximum operational reliability under high differential pressure. Constructed in robust die-cast aluminum, this low-maintenance, oil-free design provides continuous, dependable service to our customers.

IE3
CC339B
CE
C **UL** **US**
E493872



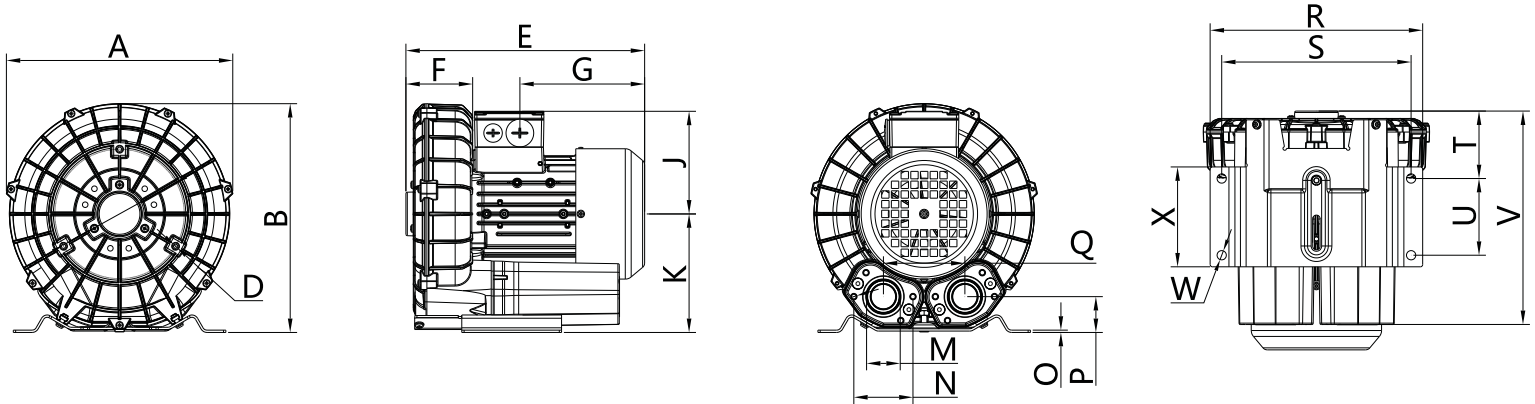
PERFORMANCE



Model	Phase	Frequency (Hz)	Air flow (CFM/m³/hr)	Rated Vacuum (in. H ₂ O/mbar)	Rated Pressure (in. H ₂ O/mbar)	Motor (HP/kW)	Voltage (V)	Current (A)	Sound Level (dB)	Weight (lb/kg)
HRC 500	3	50	187/318	76/190	76/190	3.0/2.2	190 YY/380 Y	11.2 YY/5.6 Y	69	68/31
		60	221/376	76/190	76/190	3.4/2.5	230 YY/460 Y	10.3 YY/6.0 Y	72	
HRC 600	3	50	187/318	104/260	108/270	4.0/3.0	190 YY/380 Y	12.5 YY/7.2 Y	69	79/36
		60	221/376	96/240	92/230	4.6/3.4	230 YY/460 Y	12.6 YY/7.3 Y	72	
HRC 700	3	50	187/318	116/290	132/330	5.4/4.0	190 ΔΔ/380 Δ	18.0 ΔΔ/9.0 Δ	69	88/40
		60	221/376	128/320	124/310	6.2/4.6	230 ΔΔ/460 Δ	17.1 ΔΔ/9.9 Δ	72	
HRC 501	1	50	187/318	76/190	76/190	3.0/2.2	220	15.5	72	66/30
		60	221/376	72/180	72/180	3.4/2.5	220	15.5	74	

The performance curves are based on air at a temperature of 59 °F and an atmospheric pressure of 29.91 inch Hg with a tolerance of +/-10%. The total pressure differences are valid for inlet and ambient temperatures up to 77 °F. Suction capacity relates to inlet conditions. Pressure capacity relates to atmospheric conditions. For other conditions please contact Republic. Three phase motor tolerances are +/-10% for fixed voltage motors and +/-5% for voltage range motors. Single phase machines are designed with a +/-5% tolerance. The frequency tolerance is +/-2% maximum.

APPROXIMATE DIMENSIONS

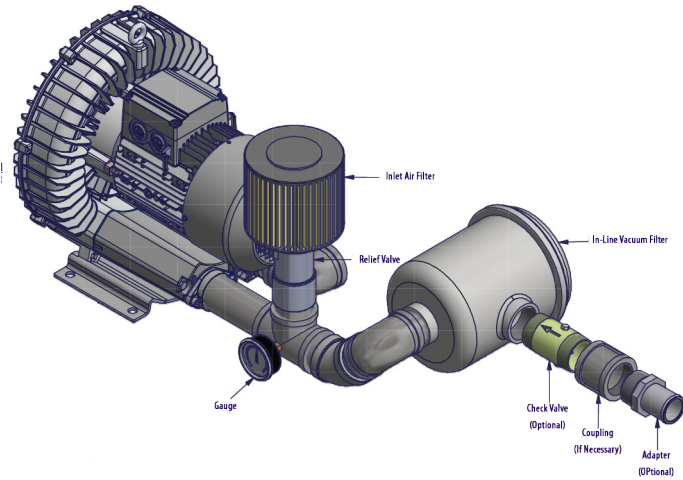


Model	Unit	A	B	D	E	F	G	J	K	M	N	O	P	Q	R	S	T	U	V	W
HRC 500	in	15.04	16.54	M10	14.84	5.12	7.48	5.04	7.68	2.00	3.27	0.18	2.00	4.94	12.80	11.42	4.29	5.51	13.07	0.59
	mm	382	420		377	130	190	128	195		83	4.5	51	125	325	290	109	140	332	15
HRC 600	in	15.04	16.54	M10	16.10	5.12	7.40	5.31	7.68	2.00	3.27	0.18	2.00	4.94	12.80	11.42	4.29	5.51	13.07	0.59
	mm	382	420		409	130	188	135	195		83	4.5	51	125	325	290	109	140	332	15
HRC 700	in	15.04	16.54	M10	16.10	5.12	7.40	5.31	7.68	2.00	3.27	0.18	2.00	4.94	12.80	11.42	4.29	5.51	13.07	0.59
	mm	382	420		409	130	188	135	195		83	4.5	51	125	325	290	109	140	332	15
HRC 501	in	15.04	16.54	M10	14.84	5.12	7.48	5.04	7.68	2.00	3.27	0.18	2.00	4.94	12.80	11.42	4.29	5.51	13.07	0.59
	mm	382	420		377	130	190	128	195		83	4.5	51	125	325	290	109	140	332	15

Available Options

All Republic Regenerative Blowers are available in pre-assembled kits for either pressure or vacuum applications. These kits include an inlet filter, gauge and relief valve, and are factory tested prior to shipment. Optional items for these kits include check valve, and tube adaptor; washdown motors, explosion proof motors, or other specialty motors; noise enclosures; and control panels such as VFD's, PLC's, or starter panels.

VACUUM KIT



PRESSURE KIT

