



ADVANTAGES

- 80% peak efficiency allows for lower power consumption, smaller motors, and less cost
- Longevity - 7-8 times more bearing life
- Easy to replace bearing housing assembly
- Quick-release filter
- Rotatable blower discharge
- Precision balanced shaft/impeller assemblies
- Two year warranty
- Ceramic hybrid bearings
- Two-piece labyrinth seals designed and manufactured specifically for Republic RBX blowers
- Stainless steel blower pulley, zinc plated steel motor pulley, aluminum blower housing
- 20 Groove belt for long life
- Made in the U.S.A.

OPTIONS

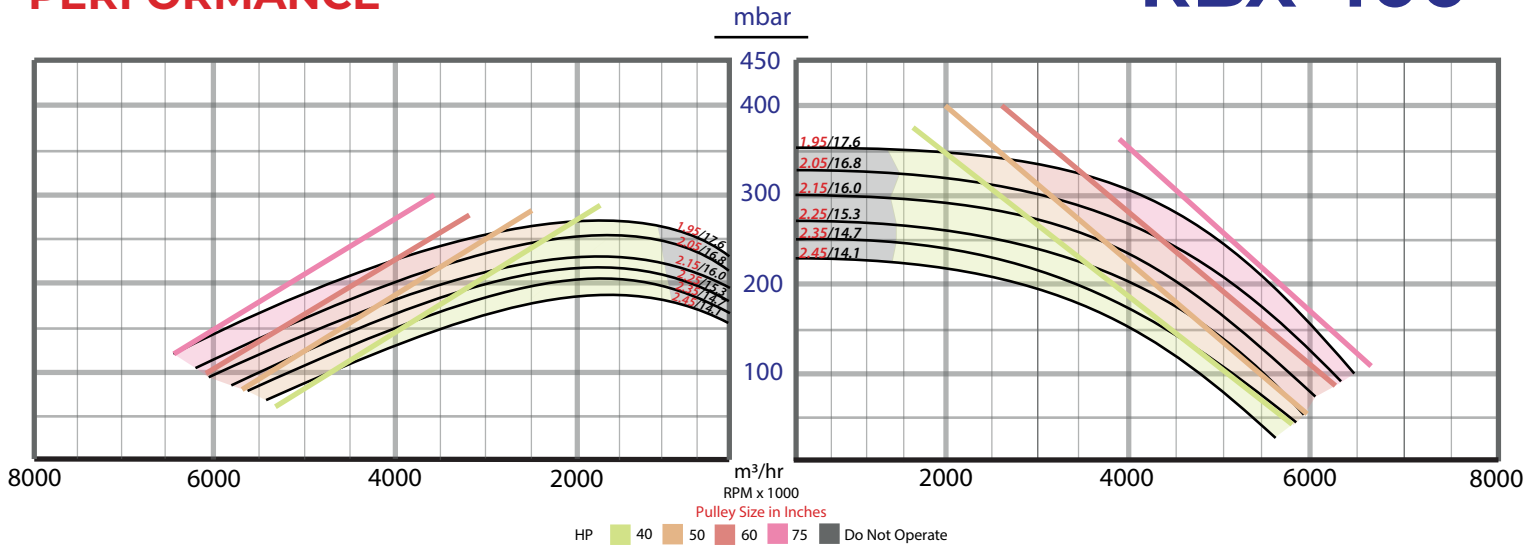
- Chemically resistant packages
- ANSI flanges on inlet/outlet (with or without filter)
- Tube adapter (with or without filter)
- Optional discharge flange
- Installed thermocouples to monitor bearing temperature

OPTIONAL ACCESSORIES

- Enclosures for noise control
- Exhaust silencer
- Starter panel/soft start
- Variable frequency drive
- Ball valves/butterfly valves
- Gauges

RBX-400

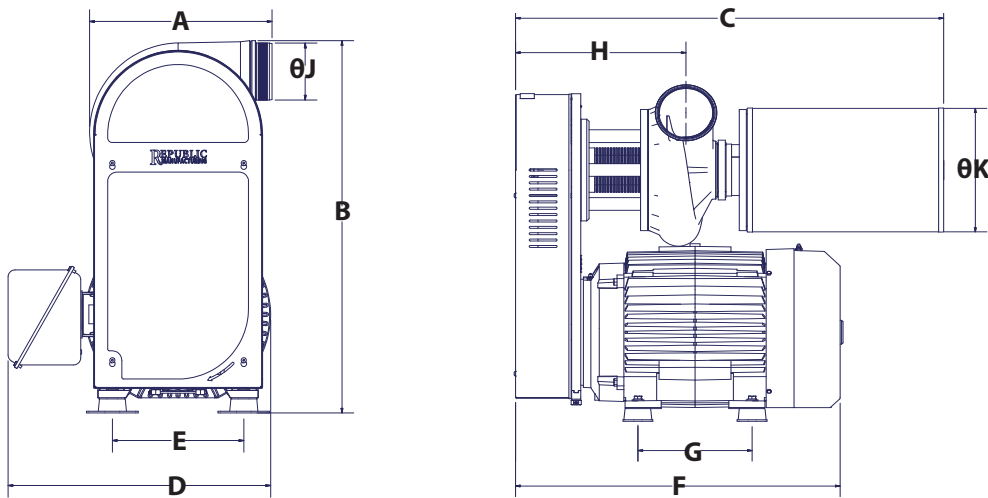
PERFORMANCE



Motor	Hz	Max Flow (m ³ /hr)	Max Vacuum (mbar)	Max Pressure (mbar)	Sound Level (dB)	Weight (kg)	Retro Kit Weight (kg)
40 HP	50	5,736	-272	359	92	409	74
50 HP	50	5,985	-267	349	92	418	
60 HP	50	6,278	-257	344	92	545	
75 HP	50	6,490	-232	326	92	558	

All measurements are ±10%

APPROXIMATE DIMENSIONS



Motor	A	B	C	D	E	F	G	H	θJ	θK
40 HP	494 mm	1005 mm	1167 mm	591 mm	318 mm	819 mm	305 mm	460 mm	154 mm	370 mm
50HP	494 mm	1005 mm	1167 mm	591 mm	318 mm	819 mm	305 mm	460 mm	154 mm	370 mm
60 HP	494 mm	1030 mm	1167 mm	711 mm	356 mm	883 mm	311 mm	460 mm	154 mm	370 mm
75 HP	494 mm	1030 mm	1167 mm	711 mm	356 mm	883 mm	311 mm	460 mm	154 mm	370 mm

CONTACT

